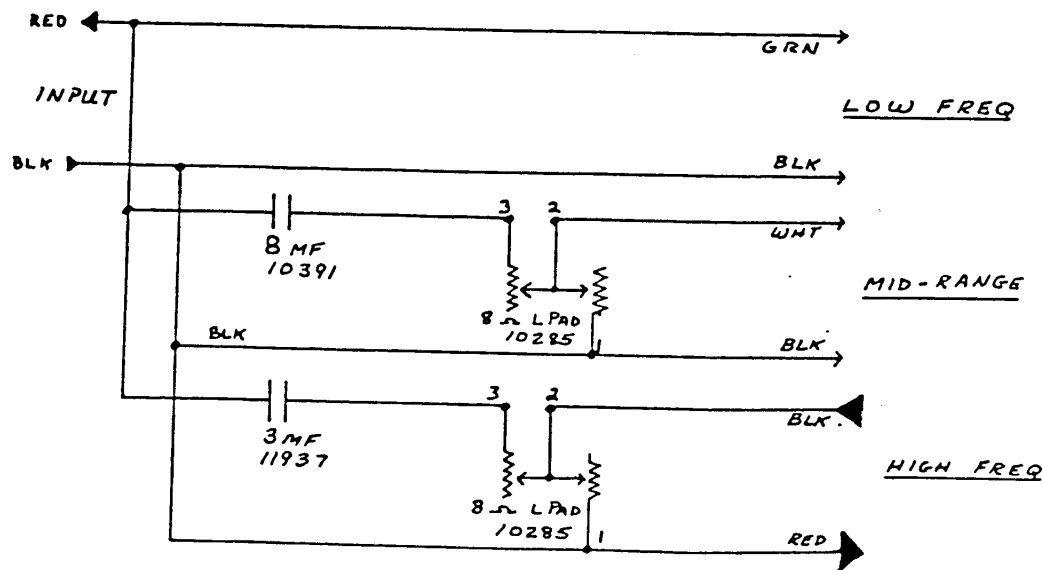


SPECIFICATIONS: NOTE ①

LOAD Z	LOW PASS	CROSS OVER	HIGH PASS	ATTENUATION
	1.5 KHZ		1.5 KHZ	1.5 KHZ
8	LF 0 MF -6		MF -6 HF -14	MF VAR. HF VAR.

CIRCUIT:



NOTES:

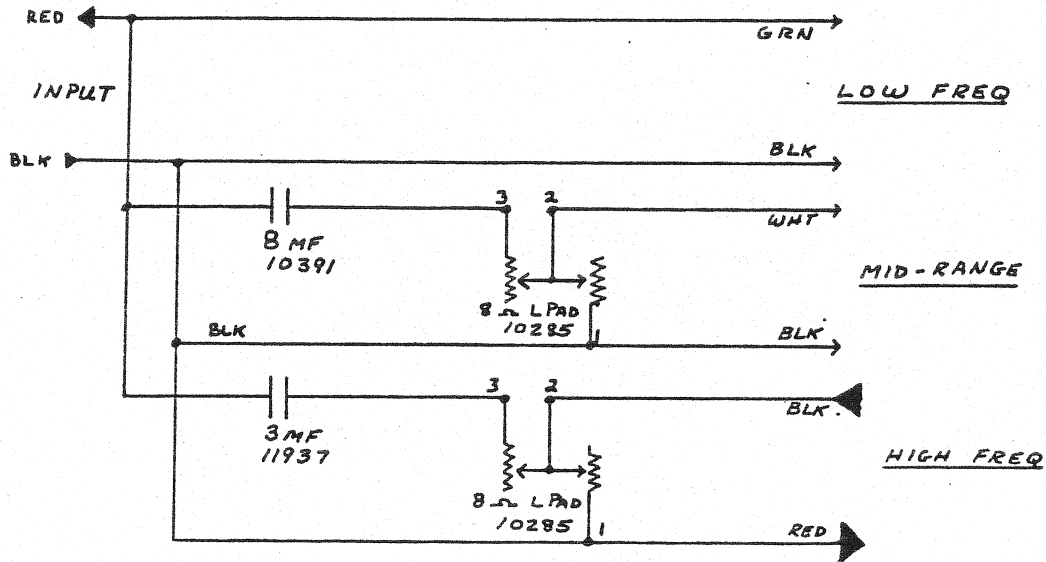
① USE STANDARD TEST FIXTURE

G	11-75
E	4-75

SPECIFICATIONS: NOTE ①

LOAD Z	LOW PASS	CROSS OVER	HIGH PASS	ATTENUATION
	1.5 KHZ		1.5 KHZ	1.5 KHZ
8	LF 0 MF -6		MF -6 HF -14	MF VAR. HF VAR.

CIRCUIT:

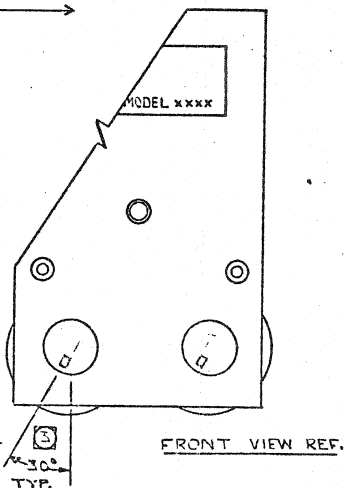
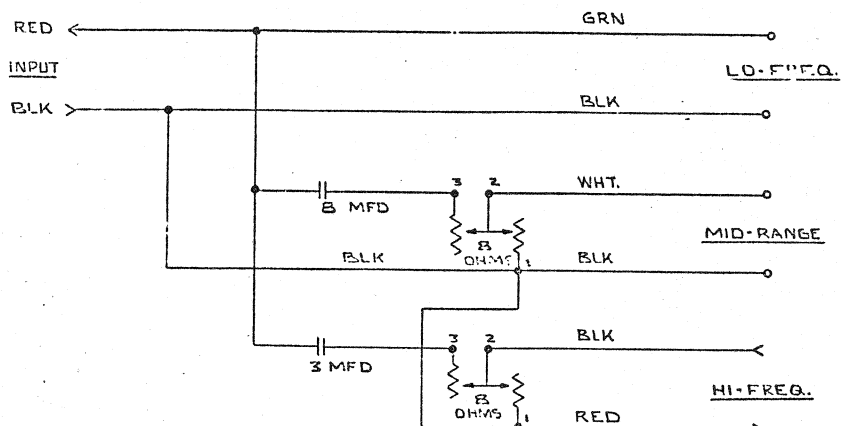


NOTES:

- ① USE STANDARD TEST FIXTURE

G	11-75
E	4-75

THESE DRAWINGS AND SPECIFICATIONS ARE THE PROPERTY OF JAMES B. LANSING SOUND INC. THEY ARE ISSUED IN STRICT CONFIDENCE AND SHALL NOT BE REPRODUCED, COPIED, OR USED AS THE BASIS FOR MANUFACTURE OR SALE OF APPARATUS WITHOUT PERMISSION.



- 6 BOND ITEMS 5 & 6 TO ITEM 1 USING P/N 50182 & ADHESIVE.
 - 5 TEST SPECIFICATIONS, SEE DWG N° 50488 REF.
 - 4 FRONT OF KNOBS TO PROTRUDE $1\frac{5}{16} \pm \frac{1}{32}$ FROM FRONT OF BOARD.
 - 3 BEFORE INSTALLING KNOBS TURN L-PAD SHAFT FULL C.C.W.
 - 2 DELETED
 - 1 APPROVED ENGINEERED SAMPLE, CURRENT REVISION MAINTAINED IN ENG. DEPT.
- NOTE:

ITEM	P/N	QTY	DESC.
22	10920	1	WIRE RED 24"L MRD 37050
21	50473	2	CLIP MALE
20	50289	2	CLIP FEMALE
19	353538	A/R	CABLE TIE
18	37570	1	WIRE WHT 18"L MRD 37056
17	10917	2	WIRE BLK 24"L MRD 37055
16	10919	1	WIRE GRN 24"L MRD 37051
15	37631	1	WIRE BLK 16"L MRD 37055
14	37956	1	WIRE RED 16"L MRD 37050
13	37635	1	WIRE BLK 18"L MRD 37055
12	11872 S	2	WIRE BLK 3/2 L.
11	82362	1	TERMINAL STRIP (3T)
10	12306	2	L' WASHER 3/8 ID.
9	10630	4	HEX NUT 3/8-32 NEF
8	53673	1	RIVET, POP
7	51204	2	THREADED RIVET 8-32
6	11937	1	CAPACITOR 3 MFD
5	10391	1	CAPACITOR 8 MFD
4	10285	2	L-PAD 8 OHMS W/HOURE
3	51987	1	LABEL MRD 47138
2	52908	2	KNOBS
1	35142	1	MOUNTING BOARD MRD 50291

REV	NO	DATE	BY	CHANGE	QTY	MODEL	NEXT DWG	APPLICATION	UNLESS OTHERWISE SPECIFIED DIMENSIONS ARE IN INCHES. GREAT CHARACTERISTICS	DECIMALS XX±.01 XXX±.005	FRACTIONS X/2±.1/32	TANGULAR	DRAWN: M 5-22-73	CHECK:	TITLE: MFD ITEM - 3112	SIZE B	DRAWING NUMBER 51988	REV 1
1	B	5-25-73	...	REV NOTE & PER ED														
2	D	5-27-73	...	REV NOTE & PER ED														
3	C	5-27-73	...	REV NOTE & PER ED														
4	B	5-27-73	...	REV NOTE & PER ED														
5	A	5-27-73	...	RELEASING FOR PROD.														

DO NOT SCALE DRAWING