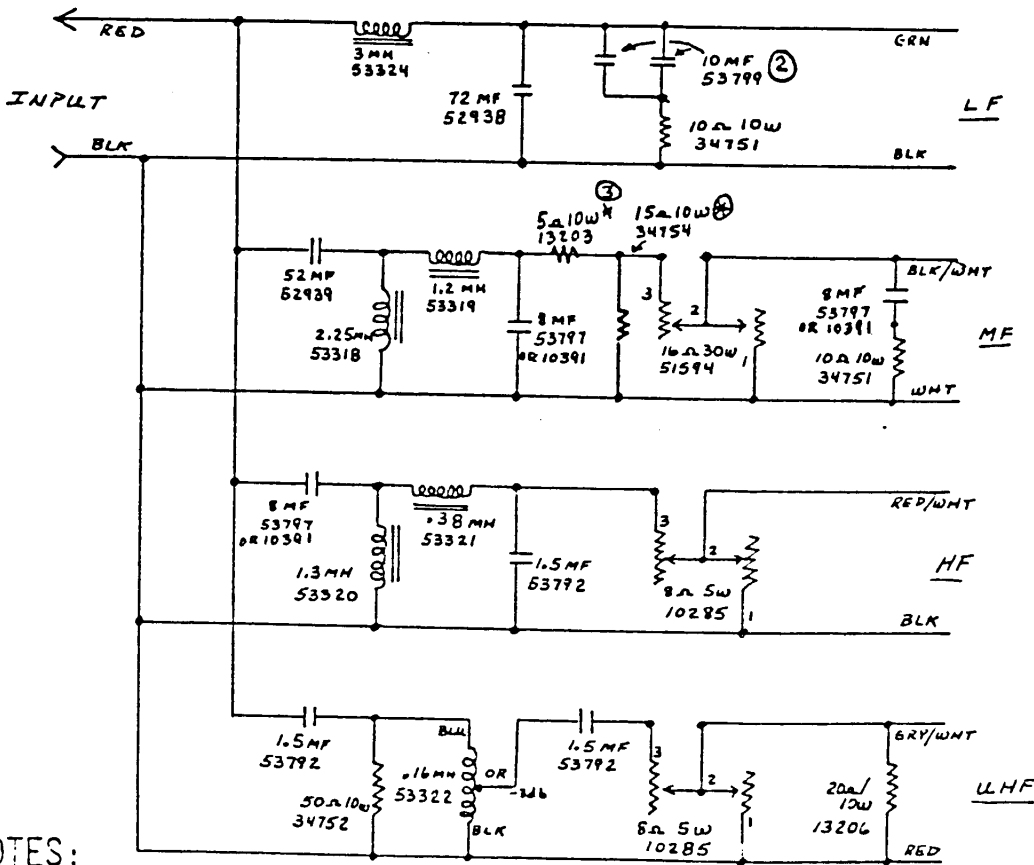


SPECIFICATIONS: NOTE ①

LOAD Z	LOW PASS	CROSS OVER	HIGH PASS	ATTENUATION	
8		400HZ			* ± 2dB
		LF -4			
		MF -7*	MF -4*	MF VAR	
		1.3KHZ	3 KHZ		
		MF -6.5*			
		HF -6.5	HF +1	HF VAR	
	9.5KHZ				
	UHF -8				
	UHF -8*	UHF -5	UHF VAR		

CIRCUIT:

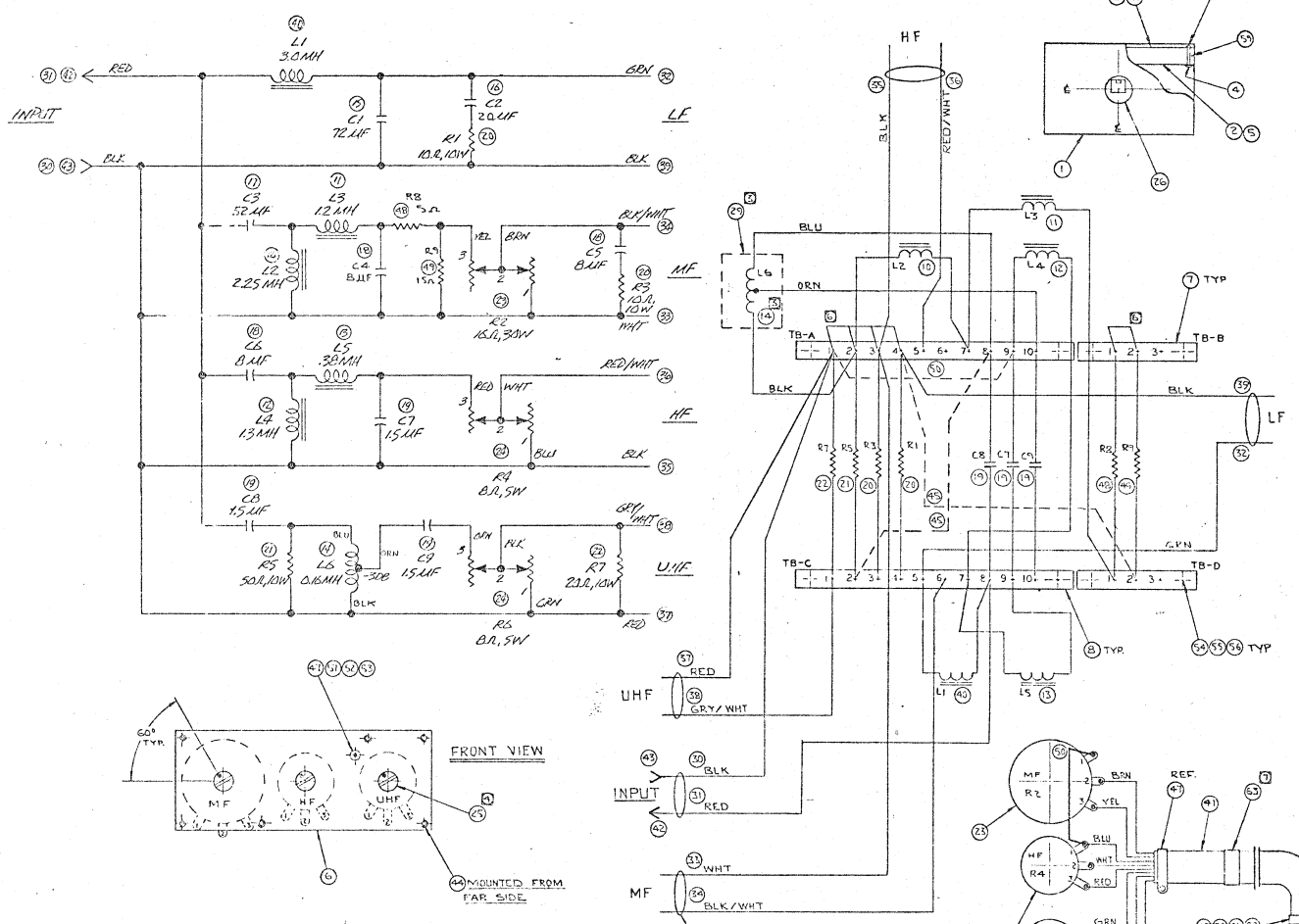


NOTES:

- ① USE STANDARD TEST FIXTURE
- ② LF SECTION - (2) 53799 10MF MAY BE (1) 53881 20MF
- ③ MF SECTION - RESISTORS MARKED (*) ADDED FOR MID-RANGE ATTENUATION

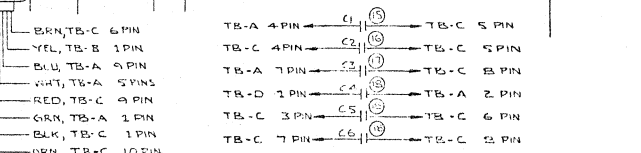
THESE DIMENSIONS AND SPECIFICATIONS ARE THE PROPERTY OF JAMES R. LAMBERT ENGINEERING INC. THEY ARE MADE IN GREAT BRITAIN AND ARE NOT TO BE REPRODUCED, COPIED, OR USED IN ANY MANNER WITHOUT THE WRITTEN PERMISSION OF JAMES R. LAMBERT ENGINEERING INC.

3114 NETWORK CAN ASSY



ITEM	PART NO	QTY	DESCRIPTION	
1	51031	1	NETWORK CAN	MRD 54052
2	52970	1	COVER	
3				
4	12093	4	SPEED NUT 6-32	
5	55817	7	BUSHING	
6	59140	1	INSULATING BOARD	MRD 50274
7	52991	2	TERMINAL STRIP 3"	
8	11521	2	TERMINAL STRIP 10"	
9				
10	53518	1	INDUCTOR 2.25 MH	L2
11	53519	1	" 1.2 MH	L3
12	53520	1	" 1.31 MH	L8
13	53521	1	" 0.38 MH	L5
14	53522	1	" 0.16 MH	L6
15	52933	1	CAPACITOR 72 MF	C1
16	53501	1	" 7.0 MF	C2
17	52939	1	" 52 MF	MRD 53617
18	10591	3	" 8 MF	C3, C5, C6
19	53792	2	" 15 MF	MRD 53500
20	39721	2	RESISTOR 100, 10W	MRD 35491
21	34752	1	" 50, 10W	R1, R3
22	13205	1	" 20, 10W	R5
23	10595	1	L-PAD 15, 10W	R2
24	10595	2	" 8, 10W	R4, R6
25	51192	3	KNOP	MRD 52191
26	53154	1	FOULER	MRD 55791
27	21074	6	SCREW B-32 2" X 1/4"	
28	52614	6	" B-32 1/4"	
29	52934	1	MOUNTING END	MRD 50294
30	39643	1	WIRE BLK 27"	MRD 37055
31	10920	1	" RED 24"	" 37050
32	10919	1	" WHT 24"	" 37051
33	39795	1	" WHT 30"	" 37056
34	54183	1	" BLK/WHT 26"	
35	39669	1	" BLK 40"	" 37055
36	51101	1	" RED/WHT 40"	" 37054
37	39767	1	" RED 40"	" 37050
38	53071	1	" GRN/WHT 42"	
39	10917	1	WIRE BLK 24"	" 37055
40	53507	1	WIRE BLK 24"	
41	54806	1	CASE B-WASH 4x4"	MRD 53164
42	50173	1	TERMINAL WIRE	
43	50289	1	" TERMINAL	
44	51504	6	THREADD RIVET B-32	
45	39619	2	JUMPER, BLK 10"	MRD 37055
46				
47	53804	2	CABLE CLAMP	
48	13203	1	RESISTOR 5 OHM 10W	MRD 35491
49	34754	1	RESISTOR 15 OHM 10W	MRD 35491
50	11672	2	JUMPER 4 1/2"	
51	11638	1	WASHER 4"	
52	53653	1	SCREW 6-32 x 5/8 FLAT HD	
53	59508	1	KEPS NUT 6-32	
54	11509	2	LOCKWASHER 1/4"	
55	11296	2	HEX NUT 4-40	
56	11044	9	SCREW 4-40 x 3/8	
57	33836	4	SCREW 6-32 x 1/4 BL. OX.	
58	53527	4	WASHER 6 BL. OX.	
59	53810	4	STANDOFF	
60	53809	1	PERFORATED COVER	MRD 53814
61	11297	1	WASHER 1/4"	
62	48514	1	KEPS NUT 4-40	
63	53813	1	BUSHING	
64	35263	5	CABLE TIE	

- INSTALL ON ITEM 41 BEFORE PLACING ITEM 41 THRU ITEM 60
 - JUMPER
 -
 - WIRE MUST BE INSTALLED AS SHOWN WHEN STRIP OF ITEM 29; CA IS ROTATED TO FULL "OPEN" POSITION. TOP OF WIRE TO PROTRUDE 1/8" FROM WIRE BOARD SURFACE
 - ITEM 29 BOUND TO PIN 1 AND PIN 2 WITH SUBREZ ADHESIVE, ITEM 14 BOUND TO PIN 7 WITH ITEM 23 WITH SUBREZ ADHESIVE
 - LOOSE ITEM SHOULD BE IN TIGHT BAG.
1. SEE 3109 REF FOR PART SPECS



REV	DATE	BY	CHKD	APP'D
1	5/21/54	J.R.	J.R.	J.R.
2	5/21/54	J.R.	J.R.	J.R.
3	5/21/54	J.R.	J.R.	J.R.
4	5/21/54	J.R.	J.R.	J.R.
5	5/21/54	J.R.	J.R.	J.R.
6	5/21/54	J.R.	J.R.	J.R.
7	5/21/54	J.R.	J.R.	J.R.
8	5/21/54	J.R.	J.R.	J.R.
9	5/21/54	J.R.	J.R.	J.R.
10	5/21/54	J.R.	J.R.	J.R.