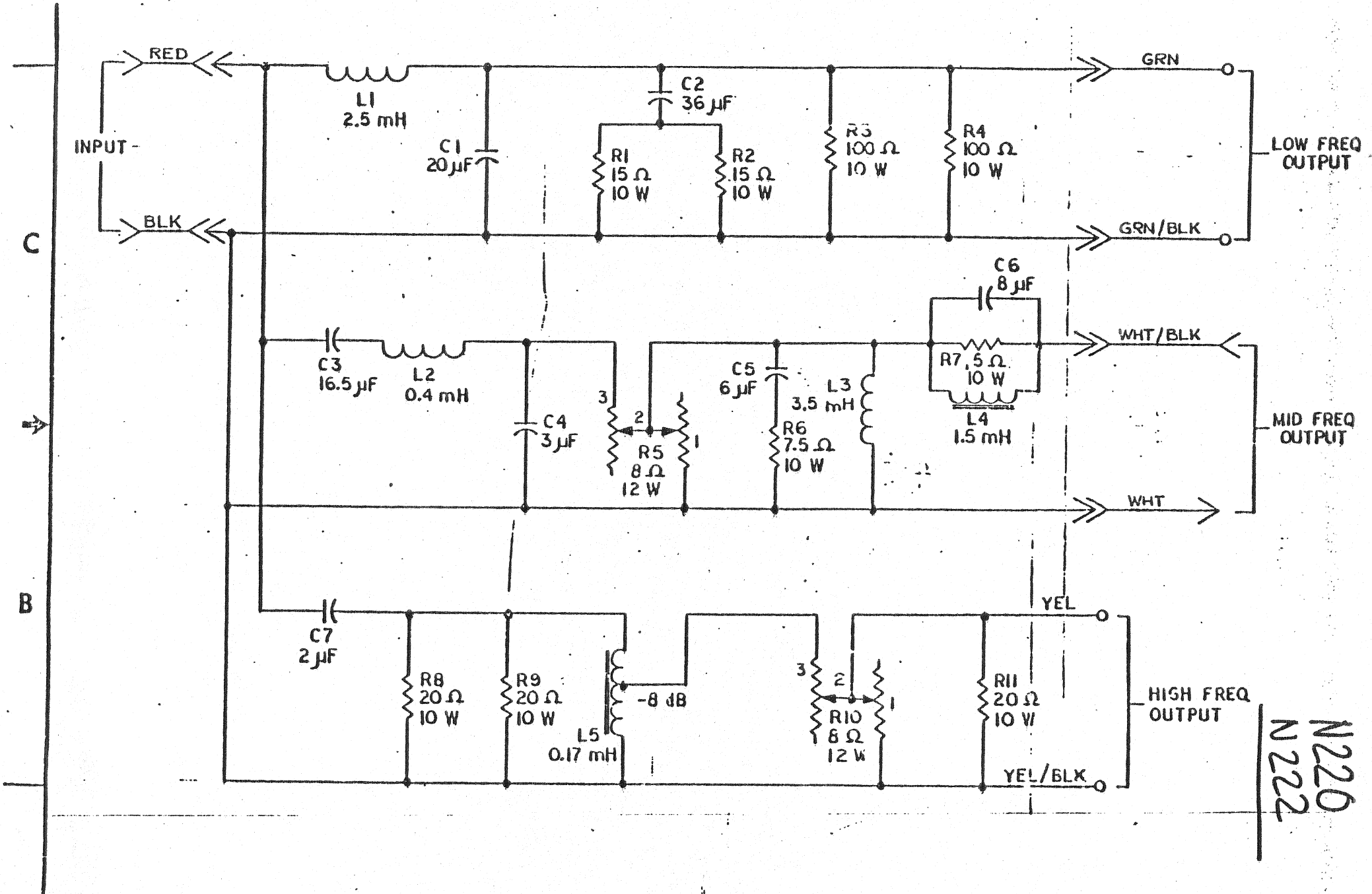


N220 NETWORK



N220
N222

INTO 8Ω LOAD

N 222

	400HZ	650HZ	2.8 KHZ	7.0 KHZ	12 KHZ
1)	LF - 2	LF - 6.5 MF - 6.5	MF - 2	MF - 12 HF - 12	HF - 8.5
2)	LF - 2	LF - 6.5 MF - 6.5	MF - 2	MF - 12 HF - 11.5	HF - 8
3)	LF - 2	LF - 6.5 MF - 6.5	MF - 2	MF - 12 HF - 12	HF 8-5
4)	LF - 2	LF - 6.5 MF - 6.5	MF - 2	MF - 12 HF - 12	HF - 8
5)	LF - 2	LF - 6.5 MF - 6.5	MF - 2	MF - 12.5 HF - 12	HF - 8

N
220