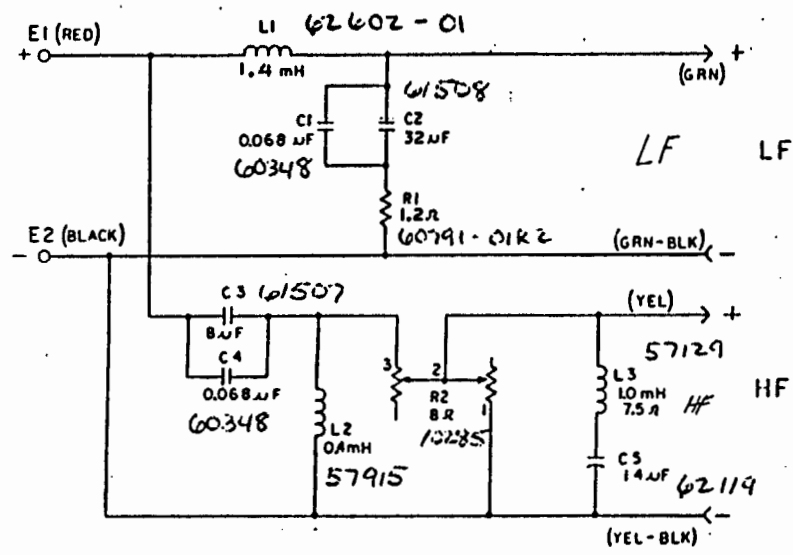


THIS DRAWING AND SPECIFICATIONS ARE THE PROPERTY OF JAMES B. LANSING SOUND, INC. THEY ARE ISSUED UNDER EARNEST AND TRUST THAT THEY WILL BE REPRODUCED EXACTLY AS SHOWN AS THE BASIS FOR MANUFACTURE OF SALES OF APPARATUS WITHOUT WRITTEN PERMISSION.

REVISIONS						
CHG	LTR	DESCRIPTION	DRFT	CHK	DATE	APPR
	A	REL FOR PRODUCTION	✓		11-22-52	PCS

8Ω	700	1.6K	5K
LF	+1	-12	-
HF	-	-12	+2



N4401

NOTES: (UNLESS OTHERWISE SPECIFIED)

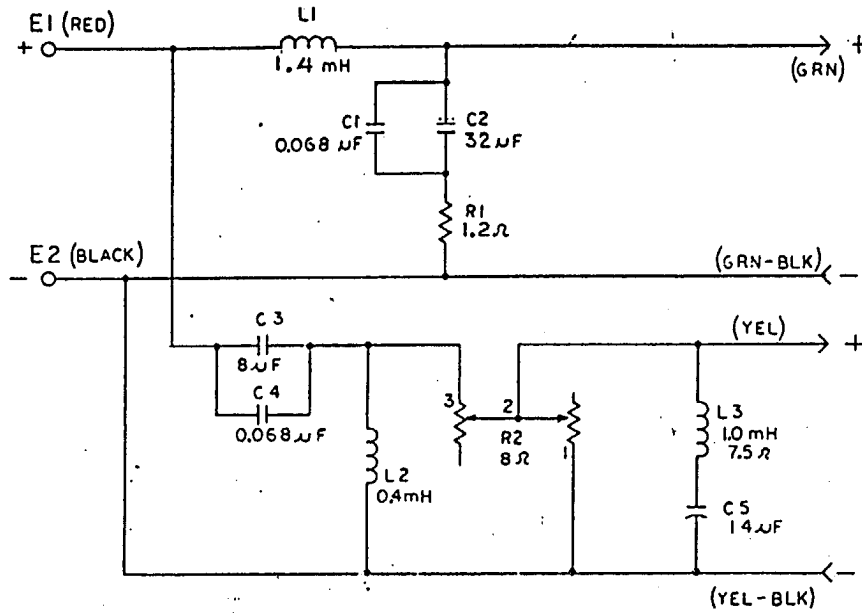
ITEM	PART NO.	DESCRIPTION	QTY	REMARKS
BILL OF MATERIAL				
<small>UNLESS OTHERWISE SPECIFIED DIMENSIONS ARE IN MILLIMETERS. FOR USE IN THIS DRAWING SEE DRAWING FOR DIMENSIONS AND TOLERANCES.</small> TOLERANCES (UNLESS OTHERWISE SPECIFIED) DECIMALS OF INCHES: ±0.005 FRACTIONS OF INCHES: ±0.005		MATERIAL: _____ FINISH: _____ MODEL USED ON: N-1401	DRAWN BY: J. B. LANSING CHECKED BY: J. B. LANSING DESIGN: J. B. LANSING DATE: 11-22-52 APPR: J. B. LANSING	JAMES B. LANSING SOUND, INC. 4110 W. 10TH AVENUE ROCKFORD, ILLINOIS 61226 U.S.A.
TITLE: SCHEMATIC, N4401				SHEET NO: A2 DRAWING NO: 62530-01 REV: A
SCALE: _____				SHEET: _____ OF: _____

62530-01

THESE DRAWINGS AND SPECIFICATIONS ARE THE PROPERTY OF JAMES B. LANSING SOUND INC. THEY ARE ISSUED IN STRICT CONFIDENCE AND SHALL NOT BE REPRODUCED, COPIED, OR USED AS THE BASIS FOR MANUFACTURE OR SALE OF APPARATUS WITHOUT WRITTEN PERMISSION.

REVISIONS						
CHG	LTR	DESCRIPTION	DRFT	CHK	DATE	APPR
N-0250	A	REL FOR PRODUCTION	DR	WJ	4-22-62	PES
180 F	B	C2 IS 28 μ F WAS 32 μ F	JR	WJ	7-26-62	WJ
263 F	C	32 μ F WAS 28 μ F	A.D.	WJ	5-13-62	PES

4401



ITEM	PART NO.	DESCRIPTION	QTY	REMARKS
BILL OF MATERIAL				
<small>UNLESS OTHERWISE SPECIFIED DIMENSIONS ARE IN MILLIMETERS UNLESS OTHERWISE SPECIFIED DECIMALS AND FRACTIONS SHALL BE TO NEAREST THOUSITH PART.</small> TOLERANCES (UNLESS OTHERWISE SPECIFIED) DECIMALS .15 ANGULAR .5 HOLE TO HOLE .0015 HOLE TO EDGE .0015 HOLE TO CENTER .0015 FRACTIONAL DIMENSIONS 1/32		MATERIAL _____ FINISH _____ MODELS USED ON _____ N4401	DRAWN <i>V. J. J.</i> CHECKED <i>[Signature]</i> DESIGN <i>[Signature]</i> DATE <i>5-13-62</i>	JAMES B. LANSING SOUND, INC. <small>A Harman International Company Northridge, California 91329 U.S.A.</small> TITLE SCHEMATIC, N4401 SIZE A2 DRAWING NO. 62530-01 REV C SHEET 1 OF 1

NOTES: (UNLESS OTHERWISE SPECIFIED)