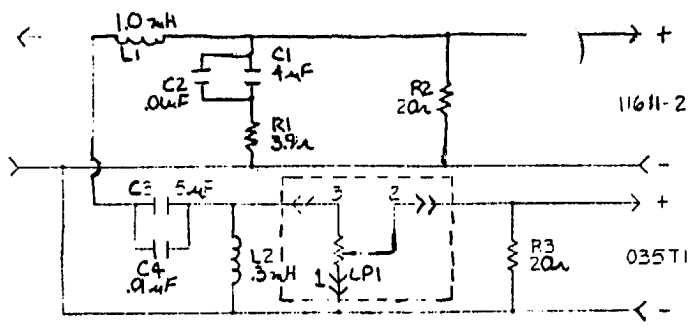


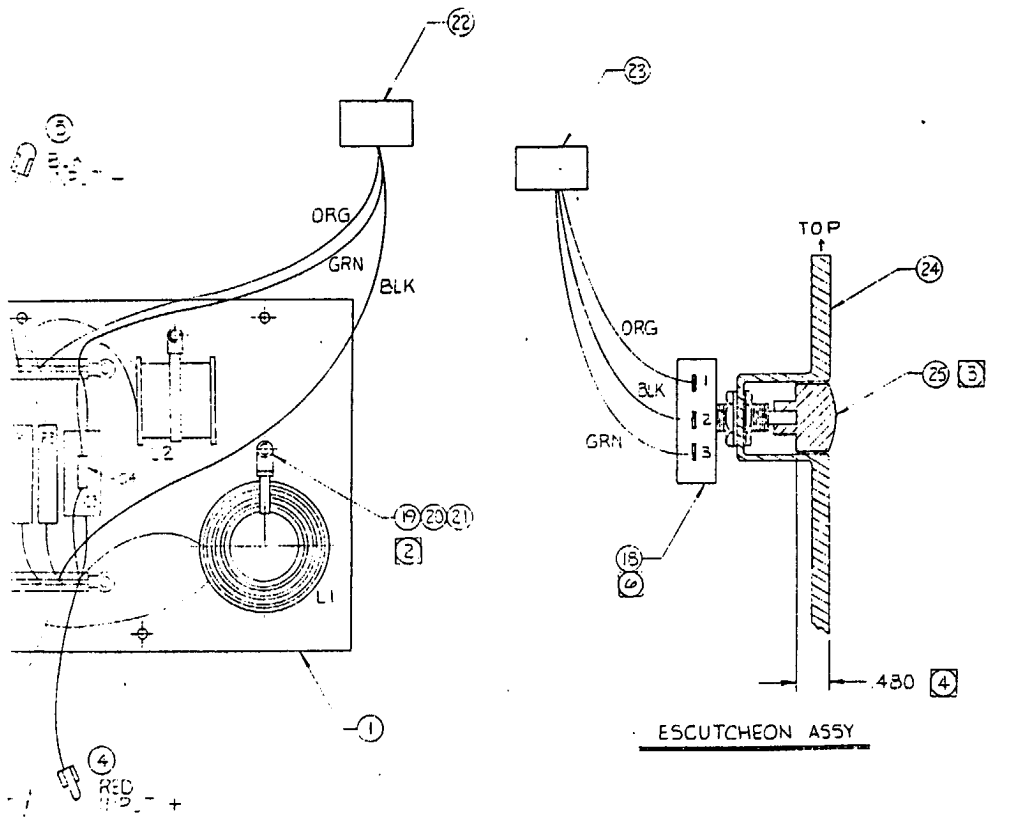
NOTE: IF ALL INFORMATION IS NOT SHOWN, REFER TO THE DRAWING OPERATOR WITHOUT WRITING

DATE	BY	REVISION



REVISIONS						
CHG	LTR	DESCRIPTION	DATE	CHK	DATE	APPR
5574	A	REL. FROM REV. 0101-0101	11/2/68			
5734	B	ADD 353535 AND NOTE 5	11/2/68			
7734	C	REV WIRE/CONNECTOR ASSY	11/2/68			
7824	D	DEL 353535 FROM 0101	11/2/68			

N4408



FORWARD TOP.

ITEM 25 TO EACH PAIR OF LEADS FROM NETWORK BOARD.

IF ESCUTCHEON TO TOP OF L-PAD SHAFT.

NOTE: 480 WHEN SHAFT ON L-PAD IS ROTATED FULLY CW.

AS SHOWN, MOUNT WASHER ATOP CABLE TIE HOLE FOR INDUCTORS TO MOUNTING BOARD WITH ITEM 3.

WIRE AND 017 TO BE WIRE WITH ITEM 3.

QTY PER ASSY	ITEM	PART NO.	DESCRIPTION	REMARKS	
	3	26	353535	CABLE TIE	
1	1	25	66934	KNOB, 1A0NITOR	
1	1	24	66943	ESCUTCHEON	
1	1	23	66970	WIRE/CONNECTOR ASSY, MALE	
-	1	22	66969	WIRE/CONNECTOR ASSY, FEMALE	
-	2	21	370233	CABLE TIE	
-	2	20	10251	WASHER, FLAT, #6	
-	6	19	48110	RIVET, 1/8 DIA	
1	1	18	58450	L-PAD	LPI
-	1	17	60791-03R9	RESISTOR, 3.9 OHM	R1
-	2	16	60791-0200	RESISTOR, 20 OHM	R2, R3
-	1	15	60623-01	AIRCORE INDUCTOR, .3µH	L2
-	1	14	60763-01R0	INDUCTOR, 1.0µH	L1
-	1	13	60790-04P0	CAPACITOR, 4µF	C1
-	1	12	60790-05P0	CAPACITOR, 5µF	C3
-	2	11	61093	CAPACITOR, 01µF	C2, C4
-	005	10	294745	SOLDER ROSEN	
-	1	9	57173-10	WIRE/CONNECTOR ASSY	YEL/BLK, 18"
-	1	8	57173-09	WIRE/CONNECTOR ASSY	YEL, 18"
-	1	7	57173-08	WIRE/CONNECTOR ASSY	GRN/BLK, 16"
-	1	6	57173-07	WIRE/CONNECTOR ASSY	GRN, 16"
-	1	5	57173-46	WIRE/CONNECTOR ASSY	BLK,
-	1	4	57173-45	WIRE/CONNECTOR ASSY	RED
-	01	3	65634	JETMELT	
-	2	2	10239	TERMINAL STRIP 6 PIN	
-	1	1	66967	MOUNTING BOARD	

ITEM		DESCRIPTION		REMARKS
BILL OF MATERIAL				
UNLESS OTHERWISE SPECIFIED DIMENSIONS ARE IN MILLIMETERS (INCHES)		MATERIAL		
TOLERANCES (UNLESS OTHERWISE SPECIFIED) ANGLES		FINISH		
.25 ± .01 mm				
.25 ± .01 mm				
.25 ± .01 mm				
ALL DIMENSIONS ARE FINISHED DIMENSIONS				
DO NOT SCALE DRAWING				
		4408		
		JBL Incorporated		
		A Harman International Company		
		Northridge, California 91329 USA		
		MFD ITEM, NTWK		
		D 67133-XXXX D		