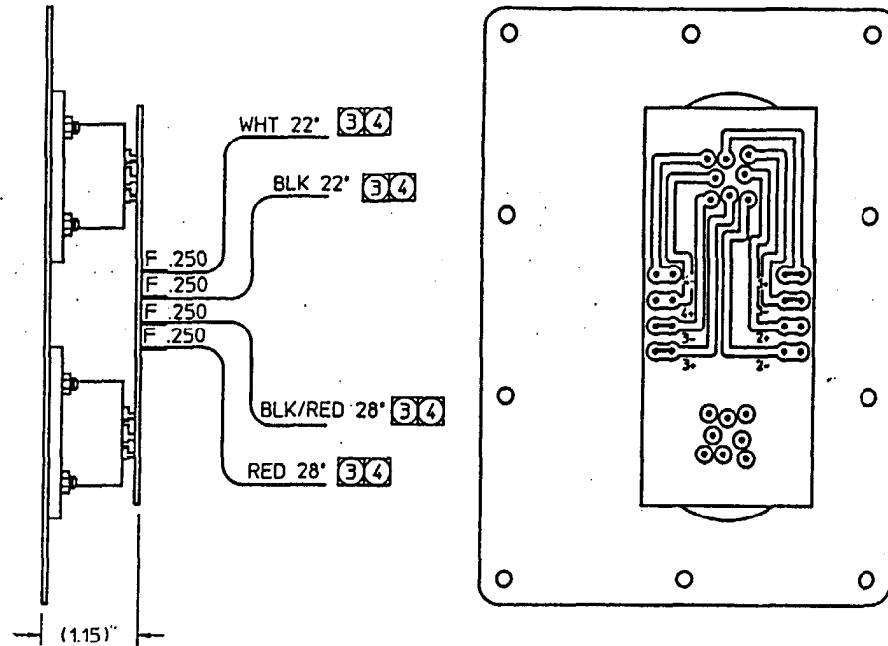
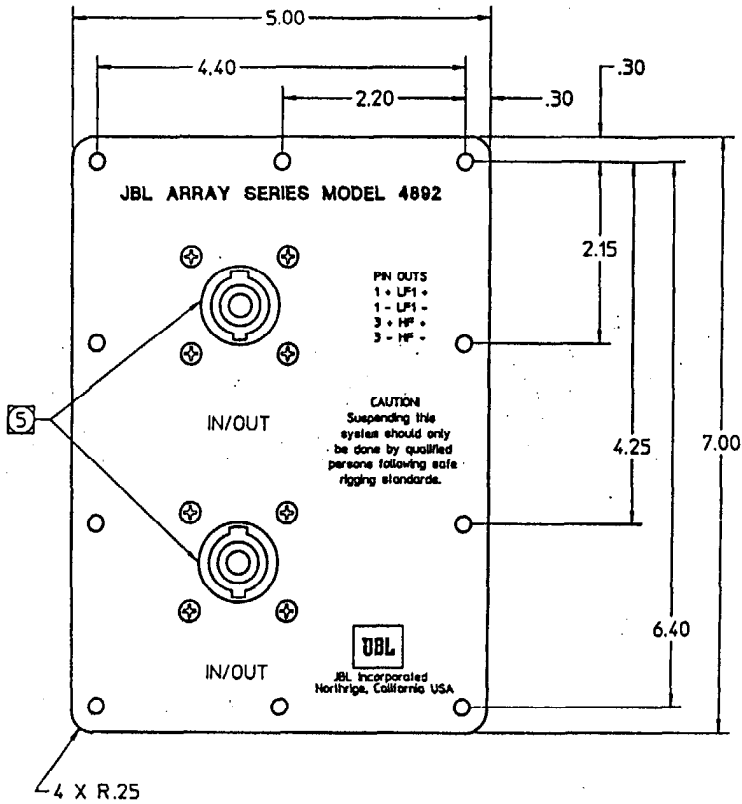


THESE DRAWINGS AND SPECIFICATIONS ARE THE PROPERTY OF HARMAN SPEAKER MANUFACTURING. THEY ARE ISSUED IN STRICT CONFIDENCE AND SHALL NOT BE REPRODUCED, COPIED, OR USED AS THE BASIS FOR MANUFACTURE OR SALE OF APPARATUS WITHOUT WRITTEN PERMISSION.

WIRE COLOR	WIRE LENGTH	PIN LOCATION
WHT	22"	1+
BLK	22"	1-
RED	28"	3+
BLK/RED	28"	3-

REVISIONS						
CHG	LTR	DESCRIPTION	DFT	CHK	DATE	APPR
8287	B	REPLACE PINK CARD	PME	W/B	11/24/81	UG

N4892



1. MATERIAL: .090" ALUMINUM
2. FINISH: BLACK ANODIZE
- 3 14 AWG TYPE TEW
- 4 3/8" STRIP AND TIN
- 5 NEUTRIK CONNECTOR P/N: NL8MD-V-J

NOTES: (UNLESS OTHERWISE SPECIFIED)

ITEM	PART NO.	DESCRIPTION	REMARKS
B.L.I. OF MATERIAL			
UNLESS OTHERWISE SPECIFIED DIMENSIONS ARE IN INCHES DIMENSIONS IN PARENTHESIS ARE IN MILLIMETERS		DRAWN BY PELLIOTT DATE 10/23/81	HARMAN SPEAKER MANUFACTURING A Harman International Company Northridge, California 91329, U.S.A.
TOLERANCES UNLESS OTHERWISE SPECIFIED INCHES X.XXX ± .005 INCH X.XX ± .010 INCH XX ± .020 INCH		DATE 11/24/81	
FRACTIONAL DIMENSIONS ± .015		ENGR. [Signature]	TITLE CONNECTOR PLATE ASSY. 4892
ALL DIMENSIONS ARE FINISHED DIMENSIONS DO NOT SCALE DRAWING		MODEL'S USED ON 4892	SCALE: 1:1
		SHEET 1 OF 1	DRIVING NO. 74146