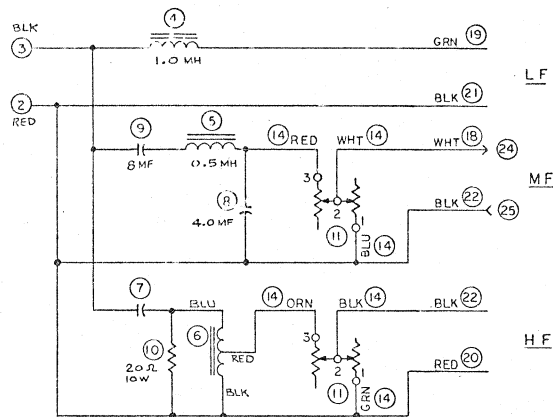
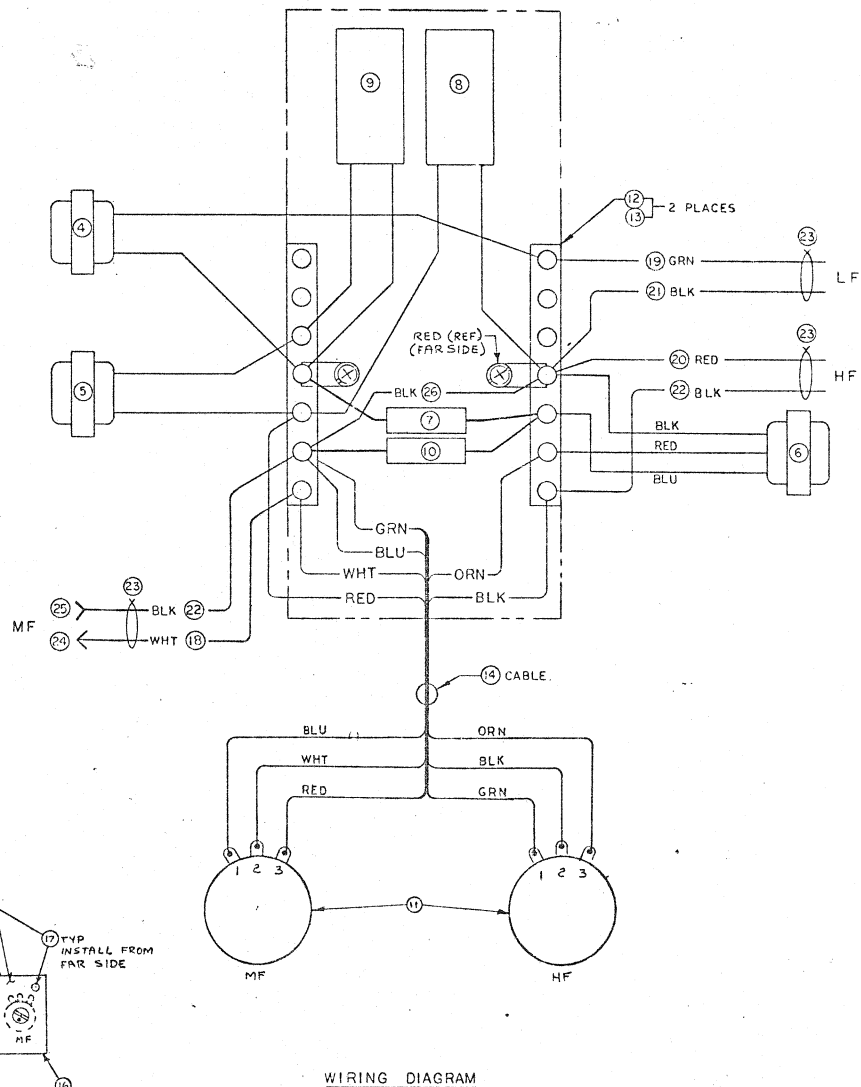
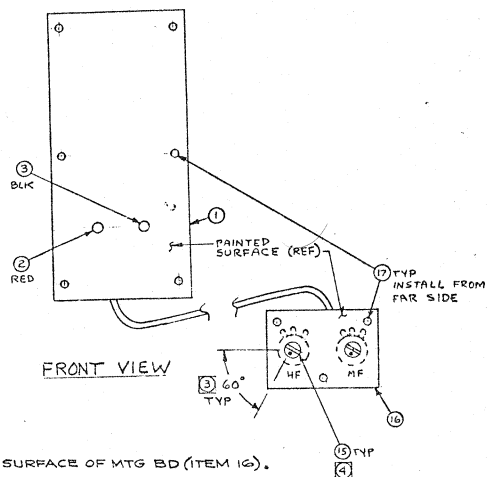


THESE DIMENSIONS AND SPECIFICATIONS ARE THE PROPERTY OF JENSEN & COLLIER ENGINEERING CO. THEY ARE TRULY IN FULL TO THE BEST AND SHALL NOT BE REPRODUCED, COPIED OR USED BY THE PUBLIC FOR MANUFACTURE OF ANY OF APPLICABLE APPLICABLE EQUIPMENT.



SCHEMATIC DIAGRAM



WIRING DIAGRAM

ITEM	PART NO.	DESCRIPTION	QTY
1	52024	MTG BD MRD 50291	1
2	10243	BINDING POST, RED	1
3	10244	BINDING POST, BLK	1
②	4	52727 INDUCTOR, 1.0 MH	1
②	5	13221 INDUCTOR, 0.5 MH	1
②	6	52728 INDUCTOR, 0.3 MH (2 TAP -8dB)	1
7	10460	CAPACITOR, 1.5 MFD	1
②	8	41040 CAPACITOR, 4.0 MFD	1
②	9	10391 CAPACITOR, 8.0 MFD	1
10	13206	RESISTOR, 20 OHM, 10W MRD 35491	1
11	10285	L-PAD W/HDWRE, 8 OHM	2
12	52018	TERMINAL STRIP	2
13	10211	SCREW, 6-32 X 3/8 LG	2
14	52027	CABLE, 6 COND MRD 53861	1
15	52192	KNOB MRD 52191	2
16	52023	MTG BD MRD 50291	1
17	51204	THREADED RIVET	9
18	37582	WIRE, WHT, 24" MRD 37056	1
19	37895	GRN, 18" MRD 37051	1
20	10920	RED, 24" MRD 37050	1
21	37635	BLK, 18" MRD 37055	1
22	10917	WIRE, BLK, 24" MRD 37055	2
23	35353 S	CABLE TIE	A/R
24	50473	CLIP, MALE	1
25	50289	CLIP, FEMALE	1
26	11872	JUMPER, BLK	1
⑤	27	52014 SCREW, 8-32 X 1/4 LG	9

③ LOOSE ITEM, PACKED IN 11710 S BAG.

④ TOP OF KNOB TO PROTRUDE 27/32" ABOVE SURFACE OF MTG BD (ITEM 16).

② KNOB TO BE INSTALLED AS SHOWN WHEN SHAFT OF L-PAD (ITEM 11) IS ROTATED TO FULL CCW POSITION.

② INDICATED ITEMS BONDED TO BOARD USING 50182 S ADHESIVE.

1. FOR TEST SPECS SEE 50182 REF.

NOTES: UNLESS OTHERWISE SPECIFIED

REV	DESCRIPTION	DATE	BY	CHECKED	DATE	BY
1	SCREW DRIVEN DESIGN	11-74	W			
2	1.0 MH INDUCTOR TO BE 0.5 MH	11-74	W			
3	INTERCHANGE BINDING STRIP FOR E.O.M.M.D.S.	11-74	W			
4	REV WIRING AT L-PADS PER L.M.	11-74	W			
5	REDESIGN AND REDESIGNED	11-74	W			

ITEM	DESCRIPTION	QTY
1	MTG BD MRD 50291	1
2	BINDING POST, RED	1
3	BINDING POST, BLK	1
4	INDUCTOR, 1.0 MH	1
5	INDUCTOR, 0.5 MH	1
6	INDUCTOR, 0.3 MH (2 TAP -8dB)	1
7	CAPACITOR, 1.5 MFD	1
8	CAPACITOR, 4.0 MFD	1
9	CAPACITOR, 8.0 MFD	1
10	RESISTOR, 20 OHM, 10W MRD 35491	1
11	L-PAD W/HDWRE, 8 OHM	2
12	TERMINAL STRIP	2
13	SCREW, 6-32 X 3/8 LG	2
14	CABLE, 6 COND MRD 53861	1
15	KNOB MRD 52191	2
16	MTG BD MRD 50291	1
17	THREADED RIVET	9
18	WIRE, WHT, 24" MRD 37056	1
19	GRN, 18" MRD 37051	1
20	RED, 24" MRD 37050	1
21	BLK, 18" MRD 37055	1
22	WIRE, BLK, 24" MRD 37055	2
23	CABLE TIE	A/R
24	CLIP, MALE	1
25	CLIP, FEMALE	1
26	JUMPER, BLK	1
27	SCREW, 8-32 X 1/4 LG	9