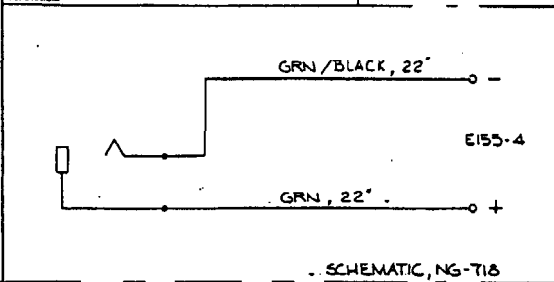


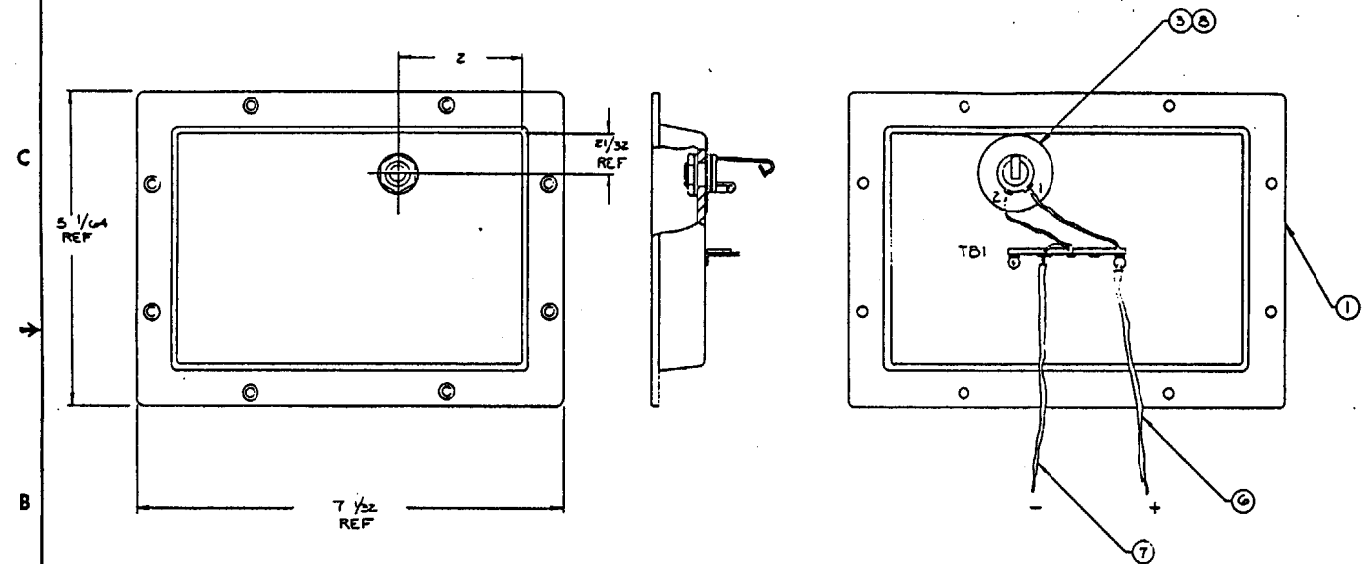
8 7

THESE DRAWINGS AND SPECIFICATIONS ARE THE PROPERTY OF JBL INCORPORATED. THEY ARE ISSUED IN STRICT CONFIDENCE AND SHALL NOT BE REPRODUCED, COPIED, OR USED AT THE BARGE FOR MANUFACTURE OR SALE OF APPARATUS WITHOUT WRITTEN PERMISSION.



REVISIONS						
CHG	LTR	DESCRIPTION	DEPT	CHK	DATE	APPR
597K	A	REL FOR PROD	SP	JLS	1/15/52	Vicki W.
765E	B	SCHEMATIC CORRECTED	JS	JLS	1/24/52	W. S.

NG-718



1 BOND ITEM 2 TO ITEM 1 USING ITEM 5.

NOTES: (UNLESS OTHERWISE SPECIFIED)

ITEM	PART NO.	DESCRIPTION	QTY	REMARKS
9	204363	SOLDER	1005	
8	63402	WASHER	1	
7	50649	WIRE, 18 AWG GRN/BLK (22')	1.03 FT	
6	50610	WIRE, 18 AWG GRN (22')	1.03 FT	
5	65084	ADHESIVE	01	
4	10298	WIRE, BLK	Z	
3	63394	PHONE JACK	1	
2	53495	TERMINAL LUG	1	
1	64462	NETWORK COVER	1	

BILL OF MATERIAL			
MODEL OR OTHER IDENTIFYING NUMBER AND TO MODEL GROUP NUMBER AND TO TOLERANCES DIMENSIONS FINISHES ALL DIMENSIONS ARE FINISHED DIMENSIONS UNLESS OTHERWISE SPECIFIED	QUANTITY UNIT PART NO. DESCRIPTION QTY REMARKS	JBL Incorporated A Harman International Company Harman International Corporation 10000 Wilshire Blvd Beverly Hills, California 90210 U.S.A.	MFD ITEM, NG-718 REV D 70318 1 of 1