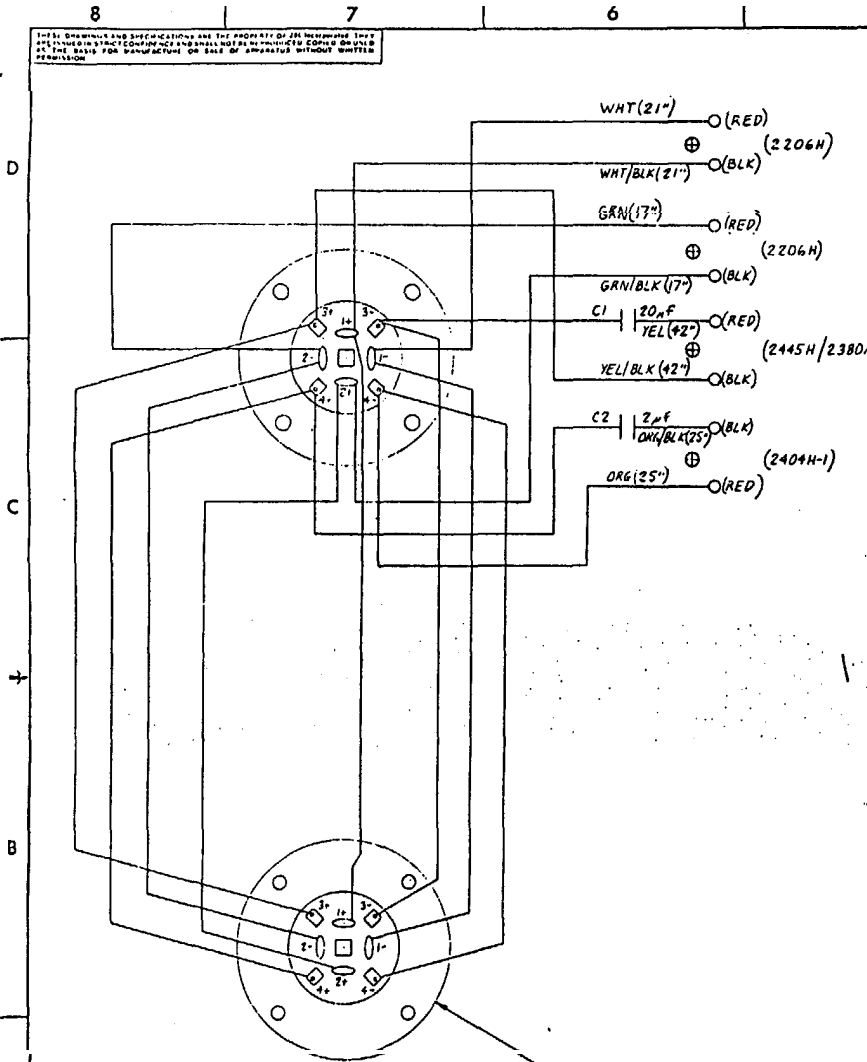


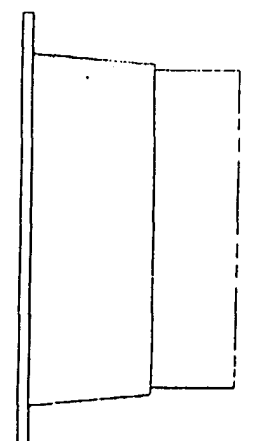
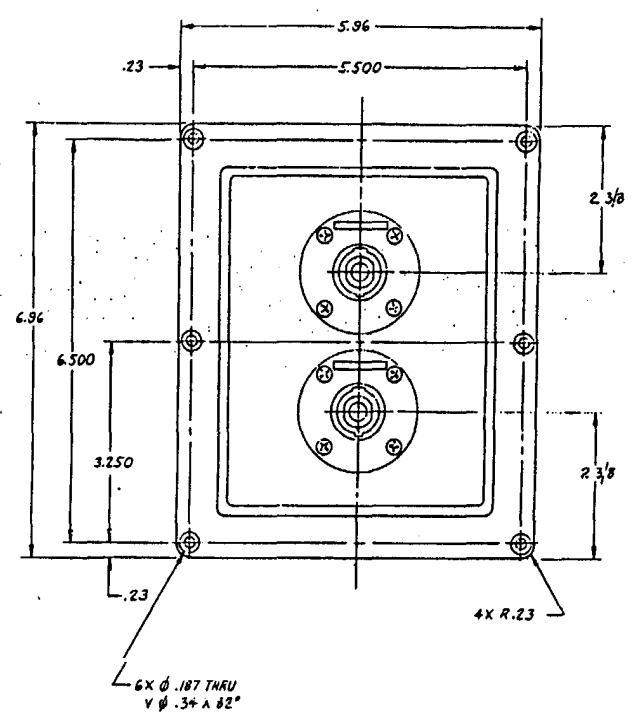
1-13: DRAWINGS AND SPECIFICATIONS ARE THE PROPERTY OF J&H. UNLESS OTHERWISE STATED, ALL DIMENSIONS ARE IN INCHES. DIMENSIONS IN PARENTHESES ARE IN MILLIMETERS. DIMENSIONS IN PARENTHESES ARE TO BE USED AS A GUIDE ONLY. ALL DIMENSIONS ARE TO BE TAKEN TO THE CENTER UNLESS OTHERWISE SPECIFIED. ALL DIMENSIONS ARE TO BE TAKEN TO THE CENTER UNLESS OTHERWISE SPECIFIED.

| REVISIONS | | | | |
|-----------|---------|-----|-----|-----|
| NO. | DATE | BY | CHK | APP |
| 1 | 7-21-71 | J&H | | |

NSR47324N



SPEAK-ON
 NEUTRIK CONNECTOR
 NLBMPP



NOTES: (UNLESS OTHERWISE SPECIFIED)

| ITEM | PART NO. | DESCRIPTION | QTY | REMARKS |
|--|----------|---|-----|---------|
| BILL OF MATERIAL | | | | |
| ALL DIMENSIONS UNLESS OTHERWISE SPECIFIED ARE IN INCHES. DIMENSIONS IN PARENTHESES ARE IN MILLIMETERS. DIMENSIONS IN PARENTHESES ARE TO BE USED AS A GUIDE ONLY. ALL DIMENSIONS ARE TO BE TAKEN TO THE CENTER UNLESS OTHERWISE SPECIFIED. ALL DIMENSIONS ARE TO BE TAKEN TO THE CENTER UNLESS OTHERWISE SPECIFIED. | | HARTMAN SPEAKER MANUFACTURING 1000 W. 10TH ST. ST. LOUIS, MO. 63104 PHONE: 314-241-1100 TELETYPE: 314-241-1100 | | |
| TOLERANCES (UNLESS OTHERWISE SPECIFIED) FRACTIONS DECIMALS .0005 .0005 .001 .001 .002 .002 .005 .005 .010 .010 .020 .020 .050 .050 .100 .100 .150 .150 .200 .200 .300 .300 .400 .400 .500 .500 .750 .750 1.000 1.000 1.500 1.500 2.000 2.000 3.000 3.000 4.000 4.000 5.000 5.000 6.000 6.000 7.000 7.000 8.000 8.000 9.000 9.000 10.000 10.000 | | NETWORK ASSY NSR47324N 30-47324N 1 | | |
| ALL DIMENSIONS ARE TO BE TAKEN TO THE CENTER UNLESS OTHERWISE SPECIFIED. DIMENSIONS IN PARENTHESES ARE TO BE USED AS A GUIDE ONLY. | | D 7-21 1 of 1 | | |