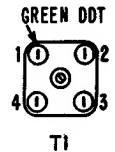
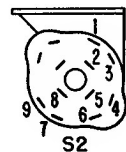
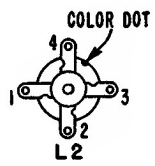
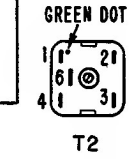
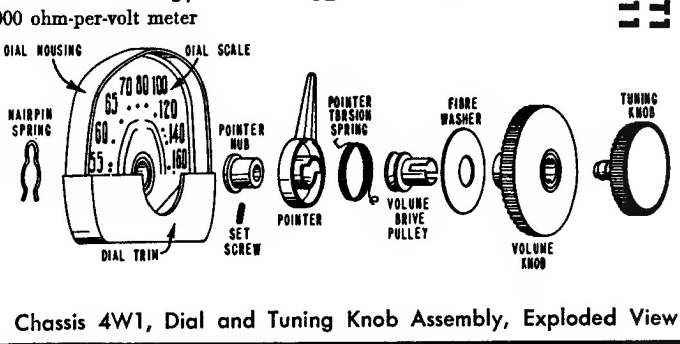
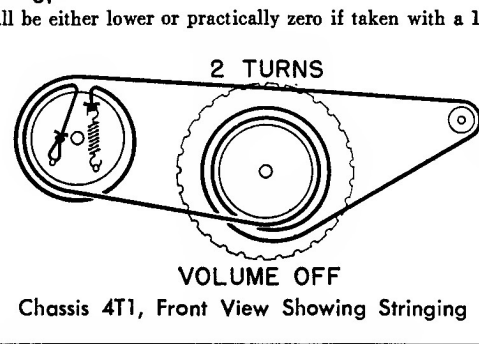
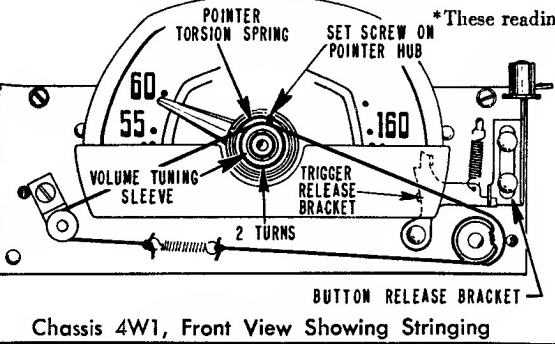
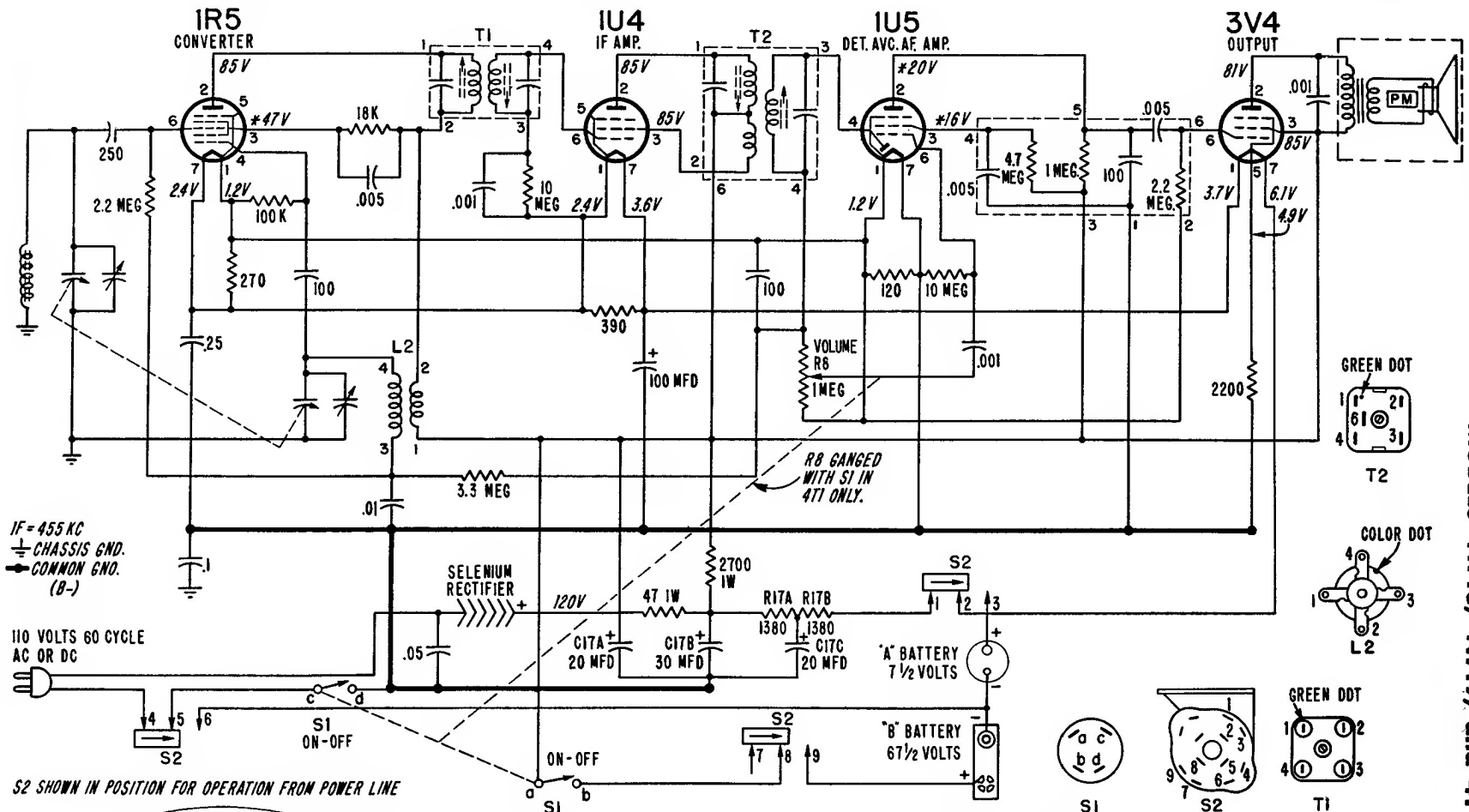


Admiral

CHASSIS 4W1 and 4T1
MODELS 4W18, 4W19, and 4T11



*These readings will be either lower or practically zero if taken with a 1000 ohm-per-volt meter