

# ADMIRAL CORPORATION. Information on MODEL 5B1A Phono Chassis.

The Model 5B1A is similar to Model 5B1.

The main differences are:

A new rotary phono-radio switch is used to positively eliminate cross talk. This is accomplished by opening the B+ feed to the front end of the set when the switch is in the photograph position. \*\*\* A 10 megohm resistor R14 has been added to the circuit to prevent occasional momentary blocking of the 12SK7 tube employed in the I.F. stage.

## Admiral Corporation Model 3A1-AN

Similar model 3A1.

### VOLTAGE DATA

Voltage measured from socket terminal to point marked "X". Large numerals indicate readings with vacuum tube voltmeter. Small numerals indicate readings with 1000 ohm-per-volt meter.

\* \* \*

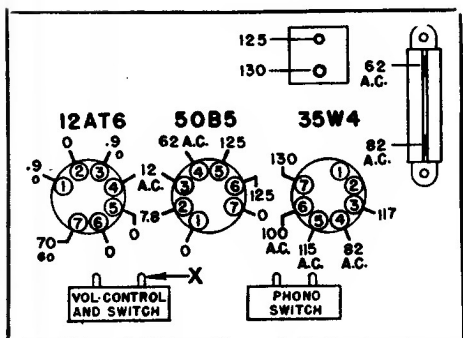
### POWER SUPPLY

Operation on 105-125 volts, 60-cycle, alternating current only. Power consumption: 45 watts.

### RECORD CHANGER

Complete service information and parts list are covered by a separate service manual. Check record changer for model number since different record changers may be used from time to time.

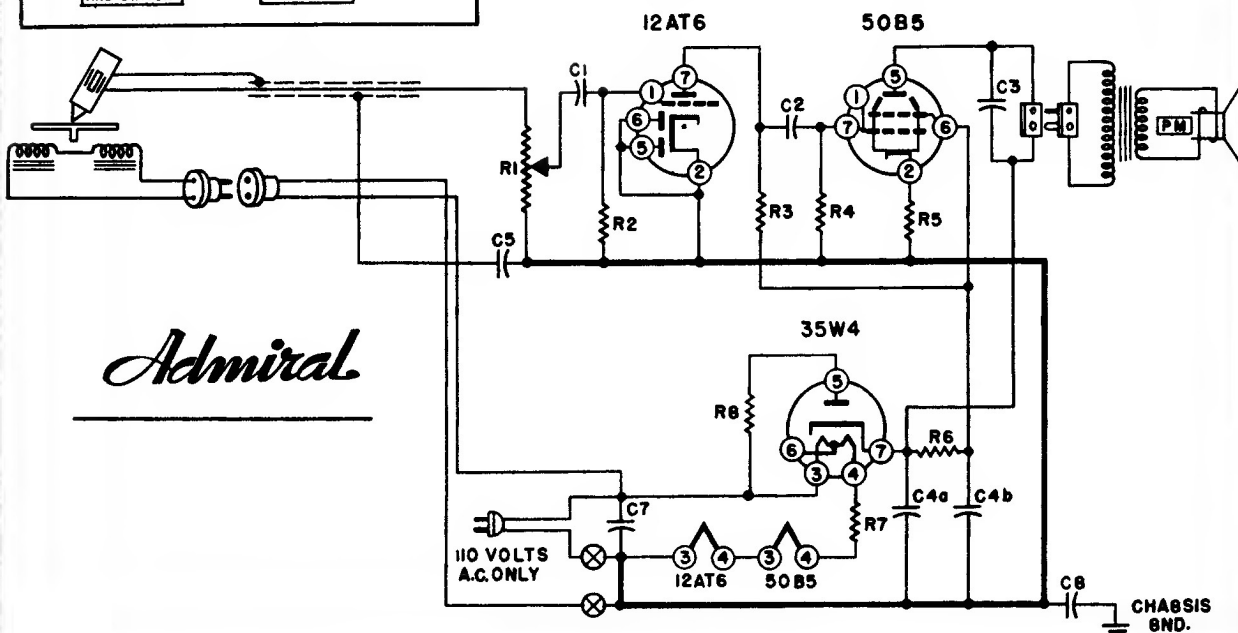
### VOLTAGE CHART



RESISTORS			CONDENSERS		
SYMBOL	OHMS	WATTS	SYMBOL	CAPACITY	VOLTS
R1	1,000,000	V. C.	C1	.005 Mfd.	600
R2	10,000,000	1/2	C2	.01 Mfd.	400
R3	270,000	1/2	C3	.02 Mfd.	400
R4	470,000	1/2	C4a	50. Mfd.	150
R5	150	1	C4b	30. Mfd.	150
R6	1,500	1	C5	.1 Mfd.	400
R7	130	5	C6	.1 Mfd.	400
R8	33	1	C7	.05 Mfd.	400

### TUBES USED

12AT6—Driver (audio)    50B5—Power Output    35W4—Rectifier



*Admiral*