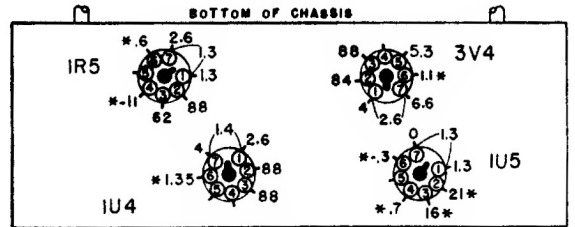


Switch section SW1C used only in sets with model numbers ending in "UL". For sets without SW1C, dashed line connection is made.

Power change switch SW1 shown in operating position from power line.

- Voltage readings taken between tube socket terminals and B minus (metal shell of electrolytic condenser).
- Dial set to low frequency, no signal, and volume control minimum.
- Measurements made from 117 volts AC line. If measured from DC line, voltages may be slightly lower.
- Voltage readings taken with a vacuum tube voltmeter. Socket terminals marked with an asterisk \* indicate much lower voltage or zero voltage if measured with a 1000 ohm-per-volt meter.
- If measurements are made on battery operation, tube filament and B plus voltages will vary with the condition of the batteries. These voltages will equal the terminal voltage of the A or B battery less the voltage drop through components.



\* If taken with a 1000 ohm-per-volt meter, readings will be lower or zero.

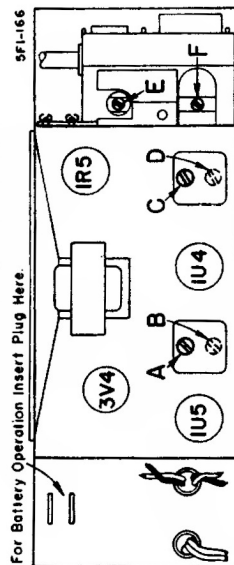
### RESISTORS

Symbol	Description	Part No.
R1	100,000 Ohms, 1/4 Watt	60B 27-104
R2	3.3 Megohms, 1/4 Watt	60B 27-335
R3	1 Megohm, Volume Control and On-Off Switch	75B 1-21
R4	10 Megohms, 1/4 Watt	60B 27-106
R5	4.7 Megohms	
R6	1 Megohm	
R7	2.2 Megohms	
R8	2,700 Ohms, 1 Watt	60B 14-272
R9	47 Ohms, 1 Watt	60B 14-470
R10	2,400 Ohms, 2.5 Watt (Tapped Candohm)	61A 5-3
R11	10 Megohms, 1/4 Watt (R11 not used in early production)	60B 27-106
R12	2,200 Ohms, 1/4 Watt	60B 26-222
R13	390 Ohms, 1/4 Watt	60B 26-391
R14	160 Ohms, 1/4 Watt	60B 26-181
R15	120 Ohms, 1/4 Watt	60B 26-121

### CONDENSERS

C1	25 mfd., 200 Volts, Paper	64B 1-28
C2a	Gang, 420 mfd., (max)	68B 14
C2b	Gang, 126 mfd., (max)	68B 14
C3	100 mfd., Ceramic	65B 6-3
C4	.01 mfd., 400 Volts, Paper	64B 1-25
C5	100 mfd., Ceramic	65B 6-3
C6	.001 mfd., Ceramic (tolerance - 0%, + 20%)	65B 6-41
†C7	.005 mfd., Ceramic	
†C8	100 mfd., Ceramic	
†C9	.005 mfd., Ceramic	
C10	.001 mfd., Ceramic (tolerance - 0%, + 20%)	65B 6-41
C11	.05 mfd., 400 Volts, Paper	64B 1-22
C12a	30 mfd., 150 Volts	
C12b	20 mfd., 150 Volts	Elect. 67C 7-1
C12c	20 mfd., 150 Volts	
C13	100 mfd., 25 Volts, Elect.	67A 4-6
C14	.1 mfd., 200 Volts, Paper	64B 1-30
C15	.001 mfd., Ceramic (tolerance - 0%, + 20%) (C15 not used in early production)	65B 6-41

### TUBE AND TRIMMER LOCATION

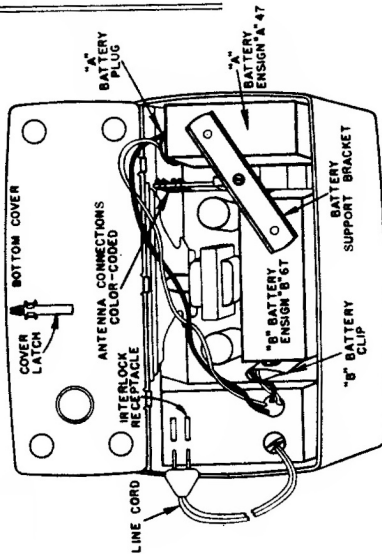


### REPLACEMENT OF BATTERIES

Use replacement A and B batteries of the following types:  
**A Battery:** Ensign A47 or equivalent.  
**B Battery:** Ensign B67, Burgess XX45, Eveready 467 or equivalent.

# Admiral

CHASSIS 5F1  
 MODELS 5F11, 5F12



†C7, C8, R5, R8, R7 are contained in a multiple-unit component called a couplate (part number 63A4-3). Although a defective section of the couplate can sometimes be replaced by individual components, we recommend replacing the entire couplate.

Note that numerals 1, 2, 3, 4, 5, and 6 shown at schematic connections, correspond to couplate lead numbers printed on body of couplate directly above the leads.