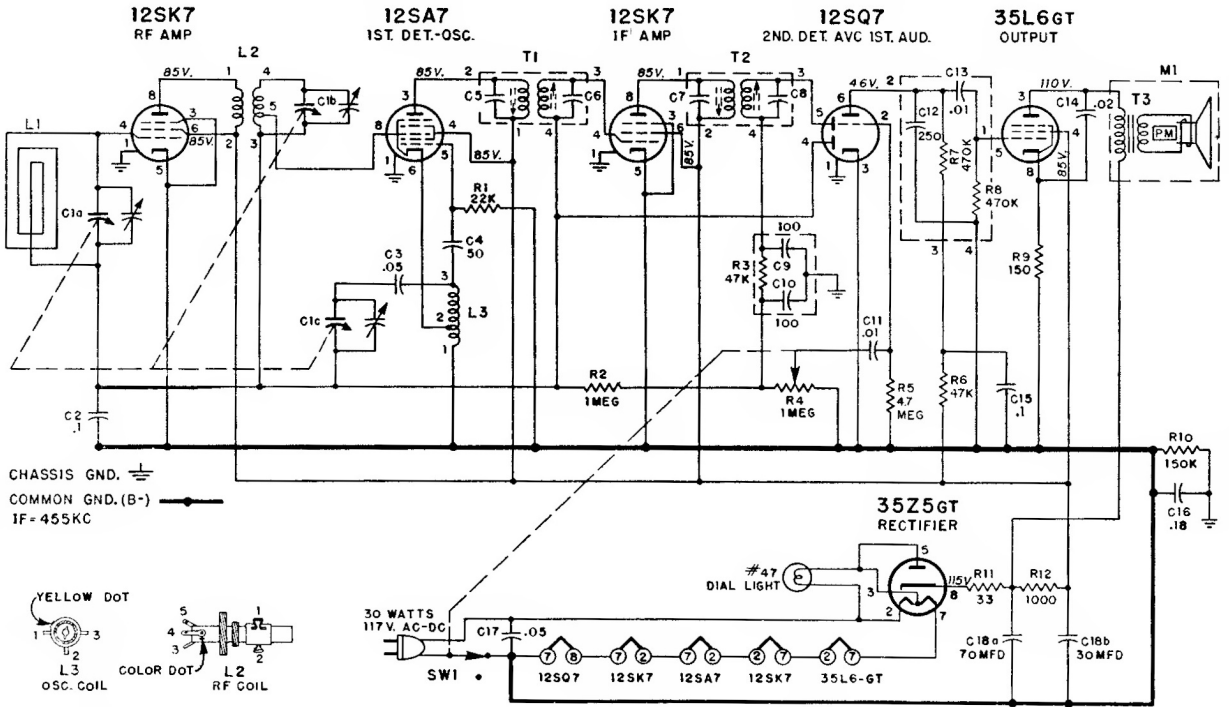


Admiral

CHASSIS 6A2 MODELS 6A21, 6A22, 6A23



ALIGNMENT PROCEDURE

Turn receiver volume control full on.

Use an isolation transformer if available, otherwise connect a .1 mfd. condenser in series with low side of signal generator and connect to B minus (terminal of On-Off switch).

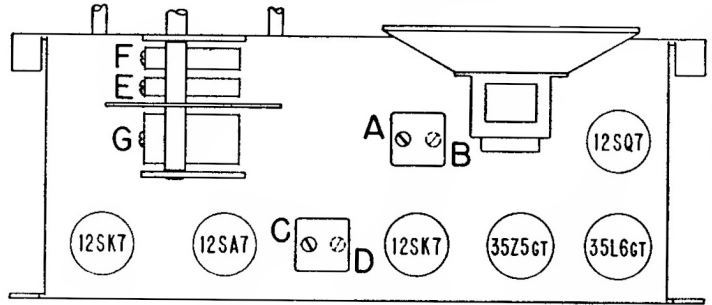
Connect output meter across speaker voice coil.

Use lowest output setting of signal generator capable of producing adequate output meter indication and then proceed as outlined in chart below.

Repeat adjustments to insure good results.

Use a non-metallic alignment tool for IF transformers.

TUBE AND TRIMMER LOCATION



Adjustments B and D are made from underside of chassis.

Step	Dummy Antenna in Series with Signal Generator	Connection of Signal Generator (High Side)	Signal Generator Frequency	Receiver Gang Setting	Trimmer Description	Trimmer Designation	Type of Adjustment
1	250 mmfd. condenser	Pin 8 of 12SA7 tube	455 KC	Gang fully open	2nd IF 1st IF	A, *B C, *D	Maximum Output
2	250 mmfd. condenser	Tuning condenser Antenna stator	1620 KC	"	Oscillator (on gang)	E	"
3	Loop of several turns of wire (or place generator lead close to receiver loop for adequate signal)	No physical connection (signal by radiation)	1400 KC	Tune in Generator signal	RF (on gang)	F	"
4	"	"	"	"	Antenna (on gang)	G	"

*Adjustments B and D are made from underside of chassis.