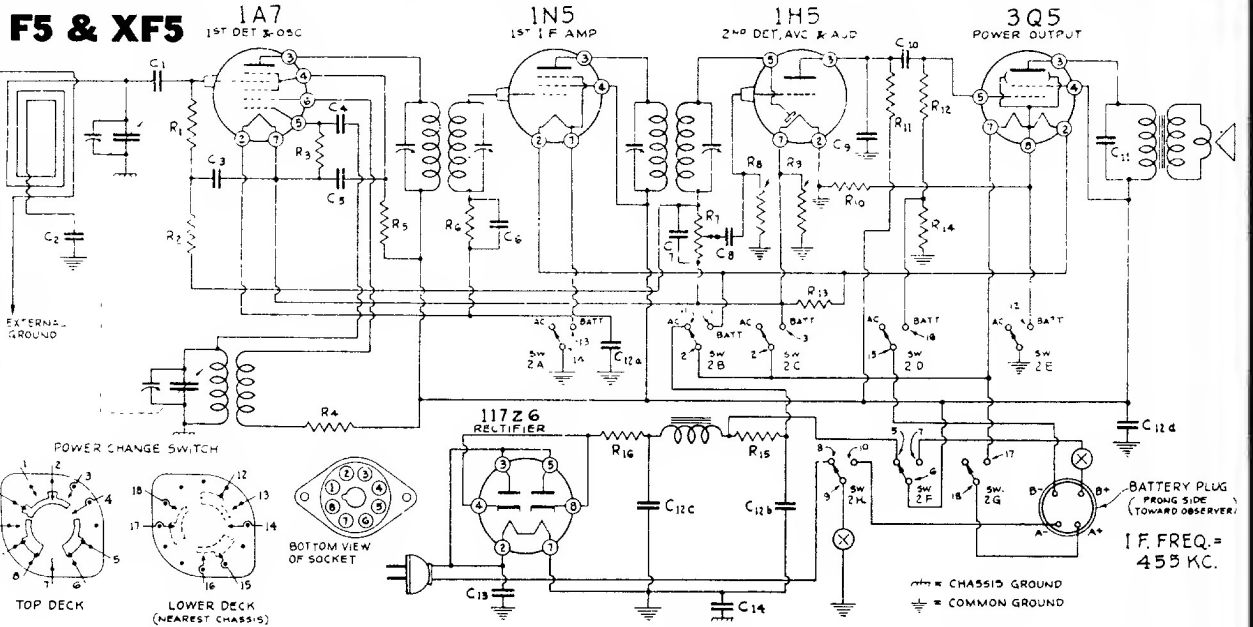


Continental Admiral

I.F. 455 K.C.
 BAND SWITCHES SHOWN IN BROADCAST POSITION
 BOTTOM VIEW OF TUBE SOCKETS SHOWN
 GANG CONDENSER CAPACITY 483 μMFD.

CAPACITORS					RESISTORS						
No.	MFD'S	VOLTS	No.	MFD'S	VOLTS	No.	OHMS	WATTS	No.	OHMS	WATTS
C1	.06	200	C11	.0001	MICA	R1	50,000	1/2	R11	50,000	1/2
C2	.25	200	C12	.004-5%	MICA	R2	200	1/2	R12	250,000	1/2
C3	.05	400	C13	300-600 μMFD	PAPER	R3	250	1/2	R13	500,000	1/2
C4	.00025	MICA	C14	.01	400	R4	20,000	1/2	R14	100,000	1/2
C5	.01	300	C15	10.0	350	R5	1,000	1/2	R15	400,000	1/2
C6	.005	600	C16	10.0	350	R6	2 MEG	1/2	R16	300	1/2
C7	.00025	MICA	C17	.05	400	R7	500,000 VOL. CON.				
C8	.01	400	C18	GIMMICK	350	R8	3,000	1/2			
C9	.005	600	C19	.0001	MICA	R9	5 MEG	1/2			
C10	.005	600				R10	500,000	TUNE CON.			

SCHEMATIC DIAGRAM MODEL 7C



No.	Ohms	Watts	No.	Ohms	Watts	No.	Capacity (Mfd.)	Volts	No.	Capacity (Mfd.)	Volts
R1	1,000,000	1/2	R9	110	1/2	C1	.00025	Mica	C10	.01	400
R2	1,000,000	1/2	R10	750-10%	1/2	C2	.1	200	C11	.002	400
R3	200,000	1/2	R11	250,000	1/2	C3	.01	200	C12a	40.	25
R4	500	1/2	R12	1,000,000	1/2	C4	.00065	Mica	C12b	40.	25
R5	30,000	1/2	R13	400	1/2	C5	.05	200	C12c	30.	150
R6	5,000,000	1/2	R14	450-10%	1/2	C6	.01	200	C12d	30.	150
R7	1,000,000	V.C.	R15	2,100	5	C7	.00025	Mica	C13	.05	400
R8	5,000,000	1/2	P16	30	1/2	C8	.01	400	C14	.25	200
						C9	.00025	Mica			

In Model F5 switch points 4, 15, 16, 17 and 18 are not used. Switch point 4 is also not used on Model XF5. Power change switch 2A thru 2H and the pictorial view shown in the "AC-DC" position. In late models C2 is not used.