

## RESISTORS

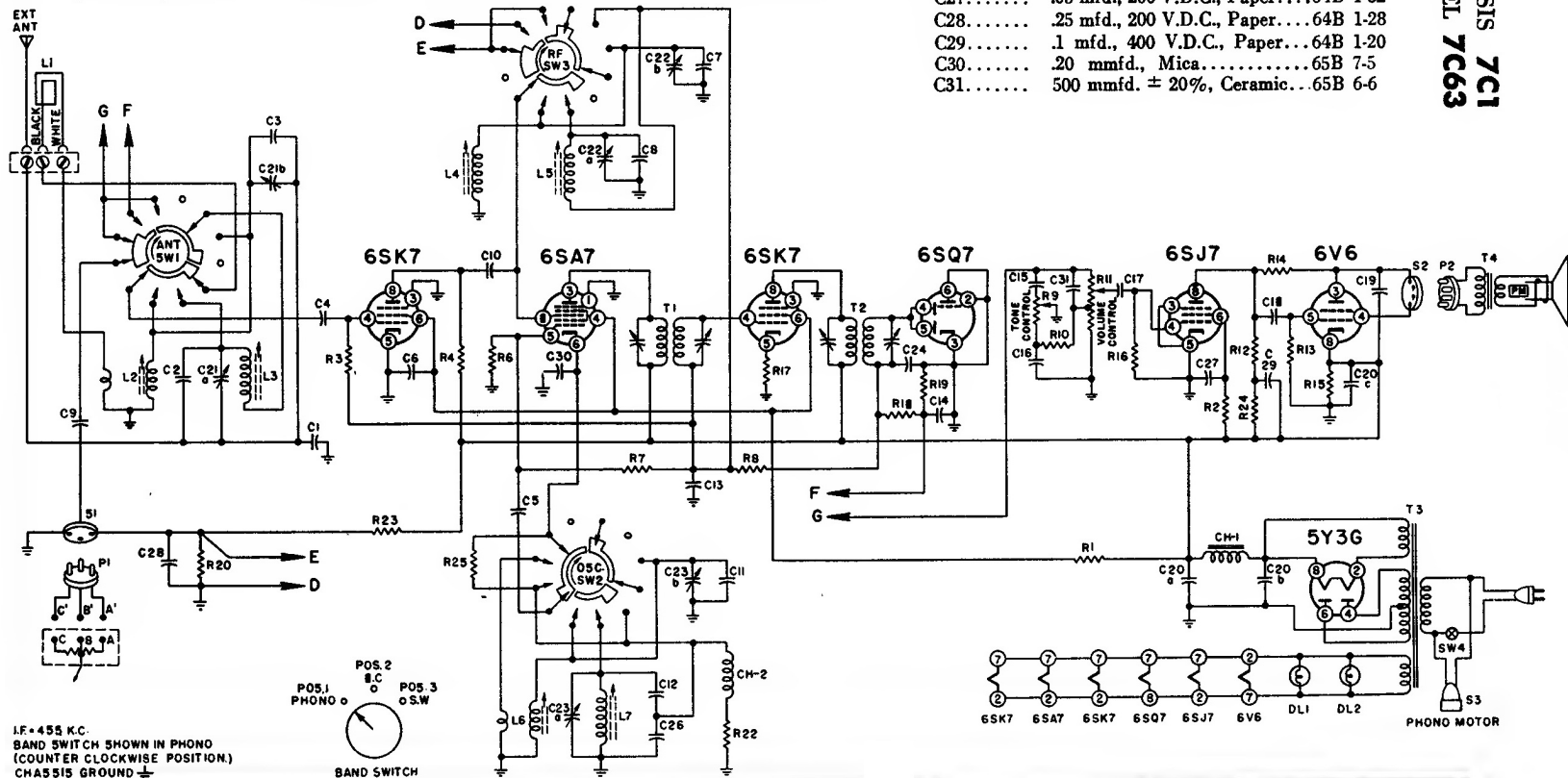
SYMBOL	DESCRIPTION	PART NO.
R1.....	12,000 Ohms, 5 Watt.....	61A 1-1
R2.....	2.2 Megohms, Carbon, ½ Watt	60B 8-225
R3.....	470,000 Ohms, ½ Watt.....	60B 8-474
R4.....	10,000 Ohms, 2 Watt.....	60B 20-103
R6.....	22,000 Ohms, ½ Watt.....	60B 8-223
R7.....	10 Megohms, ½ Watt.....	60B 8-106
R8.....	1 Megohm, ½ Watt.....	60B 8-105
R9.....	2 Megohms Tone Control.....	75B 1-8
R10.....	27,000 Ohms, ½ Watt.....	60B 8-273
R11.....	1 Megohm Volume Control and Switch SW4	75B 2-2 Tapped at 500,000 Ohms.....
R12.....	470,000 Ohms, ½ Watt.....	60B 8-474
R13.....	470,000 Ohms, ½ Watt.....	60B 8-474
R14.....	3.3 Megohms, ½ Watt.....	60B 8-335
R15.....	390 Ohms, 1 Watt.....	60B 14-391
R16.....	10 Megohms, ½ Watt.....	60B 8-106
R17.....	100 Ohms, ½ Watt.....	60B 8-101
R18.....	220,000 Ohms, ½ Watt.....	60B 8-224

R19.....	100,000 Ohms, ½ Watt.....	60B 8-104
R20.....	100,000 Ohms, ½ Watt.....	60B 8-104
R22.....	100 Ohms, ½ Watt.....	60B 8-101
R23.....	100,000 Ohms, 1 Watt.....	60B 14-104
R24.....	47,000 Ohms, ½ Watt.....	60B 8-473
R25.....	470 Ohms, ½ Watt.....	60B 8-471

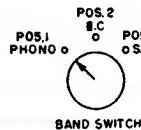
## CONDENSERS

C1.....	1000 mmfd., Mica.....	65B 7-33
C2.....	35 mmfd., Silver Mica 3%.....	65B 1-31
C3.....	25 mmfd., Silver Mica 3%.....	65B 1-28
C4.....	100 mmfd., Mica.....	65B 7-17
C5.....	50 mmfd., Ceramic.....	65B 6-4
C6.....	.05 mfd., 400 V.D.C., Paper.....	64B 1-22
C7.....	65 mmfd., Silver Mica 3%.....	65B 1-27
C8.....	420 mmfd., Silver Mica.....	65B 1-13
C9.....	1000 mmfd., Mica.....	65B 7-33
C10.....	200 mmfd., Mica 2%.....	65B 7-5
C11.....	65 mmfd., Silver Mica 3%.....	65B 1-27
C12.....	200 mmfd., Silver Mica, 2%.....	65B 1-14

C13.....	.1 mfd., 400 V.D.C., Paper.....	64B 1-20
C14.....	250 mmfd., Mica.....	65B 7-22
C15.....	1000 mmfd., Mica.....	65B 7-33
C16.....	.02 mfd., 400 V.D.C., Paper.....	64B 1-24
C17.....	.01 mfd., 400 V.D.C., Paper.....	64B 1-25
C18.....	.005 mfd., 600 V.D.C., Paper.....	64B 1-12
C19.....	.01 mfd., 600 V.D.C., Paper.....	64B 1-10
C20a.....	30 mfd., 350 V.D.C., Elec.....	67C 6-25
C20b.....	30 mfd., 350 V.D.C., Elec.....	
C20c.....	20 mfd., 25 V.D.C., Elec.....	
C21a.....	3-40 mmfd., Dual Trimmer.....	66A 1-5
C21b.....	3-40 mmfd., Dual Trimmer.....	
C22a.....	3-40 mmfd., Trimmer.....	66B 8-1
C22b.....	3-40 mmfd., Trimmer.....	66B 8-1
C23a.....	3-40 mmfd., Trimmer.....	66B 8-1
C23b.....	3-40 mmfd., Trimmer.....	66B 8-1
C24.....	100 mmfd., Mica.....	65B 7-17
C26.....	1,200 mmfd., Mica.....	65B 5-34
C27.....	.05 mfd., 200 V.D.C., Paper.....	64B 1-32
C28.....	.25 mfd., 200 V.D.C., Paper.....	64B 1-28
C29.....	.1 mfd., 400 V.D.C., Paper.....	64B 1-20
C30.....	.20 mmfd., Mica.....	65B 7-5
C31.....	500 mmfd. ± 20%, Ceramic.....	65B 6-6



IF = 455 KC.  
BAND SWITCH SHOWN IN PHONO  
(COUNTER CLOCKWISE POSITION).  
CHASSIS GROUND



*Amnival*

CHASSIS 7C1  
MODEL 7C63