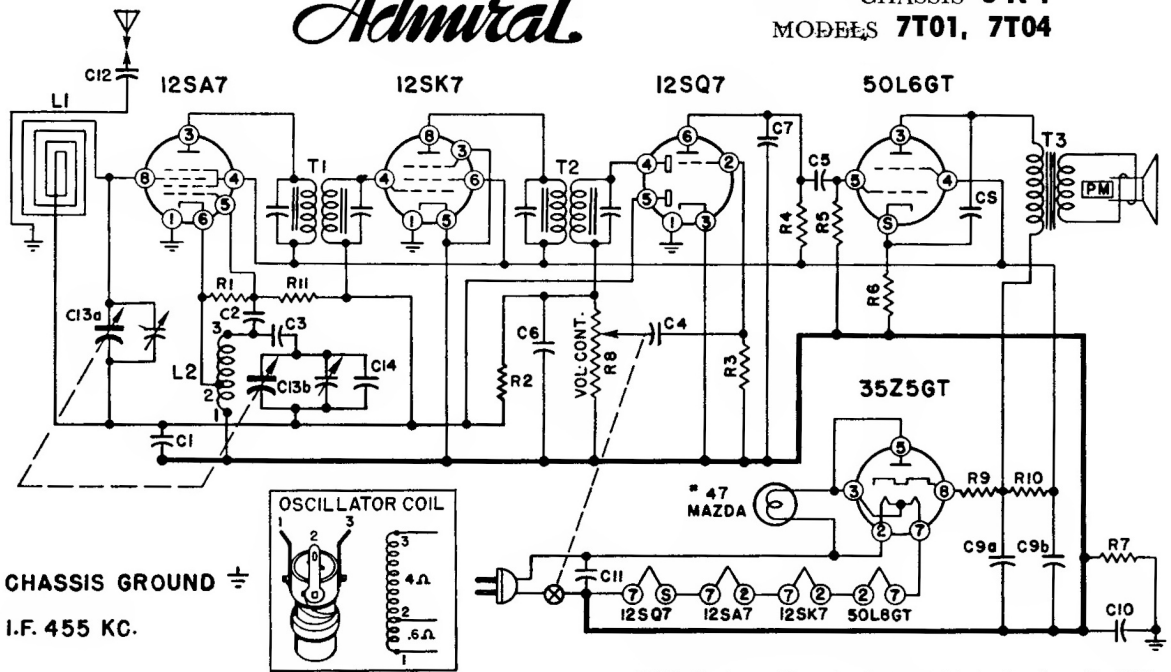
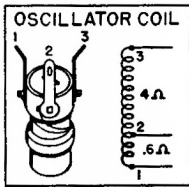


Admiral

CHASSIS 5 N 1
MODELS 7T01, 7T04

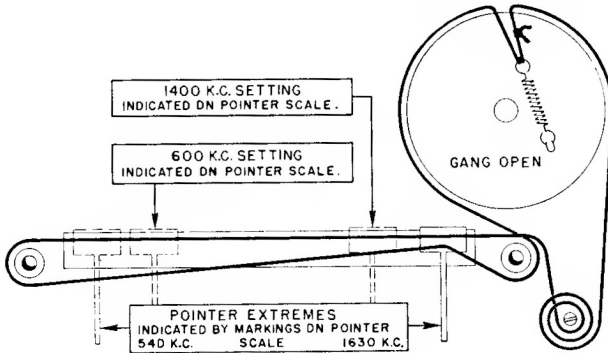


CHASSIS GROUND \perp
I.F. 455 KC.

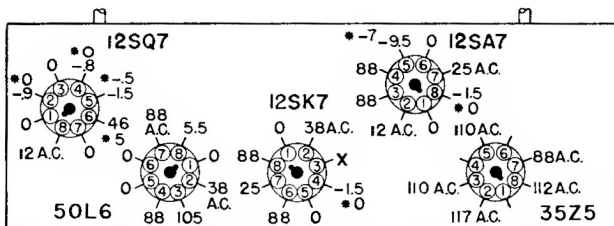


NOTE: Condenser C3 used only on models having the suffix "UL".

DIAL CORD STRINGING & POINTER SETTING



VOLTAGE CHART



- All readings made between tube socket terminals and pin 3 of 12SK7 (marked "X" on Voltage Chart).
- Voltages measured on a 117 Volt A.C. line.
- Dial turned to low frequency end, no signal.
- Voltages measured with a vacuum-tube voltmeter. A second voltage reading (marked with an asterisk *) indicates readings made with a 1000 ohm-per-volt meter when use of this instrument would result in appreciably lower readings.

RESISTORS

Symbol	Description	Part No.
R1	22,000 Ohms, 1/2 Watt	60B B-223
R2	1 Megohm, 1/2 Watt	60B B-105
R3	4.7 Megohms, 1/2 Watt	60B B-475
R4	470,000 Ohms, 1/2 Watt	60B B-474
R5	470,000 Ohms, 1/2 Watt	60B B-474
R6	150 Ohms, 1/2 Watt	60B B-151
R7	150,000 Ohms, 1/2 Watt	60B B-154
RB	1 Megohm Volume Control & Switch	75B 1-6
R9	33 Ohms, 1 Watt	60B 2B-3
R10	1,000 Ohms, 1 Watt	60B 2B-2
R11	10 Megohms, 1/4 Watt	60B 2-106

CONDENSERS

C1	.1 mfd., 200 Volts, Paper	64B 1-30
C2	.50 mmfd., Ceramic	65B 6-4
C3	.02 mfd., 400 Volts, Paper	64B 1-24
C4	.01 mfd., 400 Volts, Paper	64B 1-25
C5	.01 mfd., 400 Volts, Paper	64B 1-25
C6	.250 mmfd., Ceramic	65B 6-5
C7	.500 mmfd., Ceramic	65B 6-6
C8	.02 mfd., 400 Volts, Paper	64B 1-24
C9a	.50 mmfd., 150 Volts	60B 2B-3
C9b	.30 mmfd., 150 Volts	67A 3
C10	.1 mfd., 400 Volts, Paper	64B 1-20
C11	.05 mfd., 400 Volts, Paper	64B 1-22
C12	.005 mfd., 600 Volts, Paper	64B 1-12
C13a	Gang, 0 to 420 mmfd.	A1364
C13b	Gang, 0 to 162 mmfd.	(Spot welded to drum)
C14	.15 mmfd., Ceramic	65B 6-18

COILS, TRANSFORMERS, ETC.

L1	Antenna, Loop (Includes C12)	69B 4
L2	Coil, Oscillator	69A 14
T1	Transformer, 1st I.F.	72B 31
T2	Transformer, 2nd I.F.	72B 32
T3	Transformer, Output Speaker (5" PM) and Output Transformer	98A 4 78B 1B-2

MISCELLANEOUS

Description	Part No.
Bottom, Snap (for Dial Background)	13A 1-3-47
Cabinet, Black Plastic (7T01E)	34D 1-3 N
Cabinet, Ivory Plastic (7T01C)	34D 1-1 N
Cabinet, Mahogany Plastic (7T01M)	34D 1-2 N