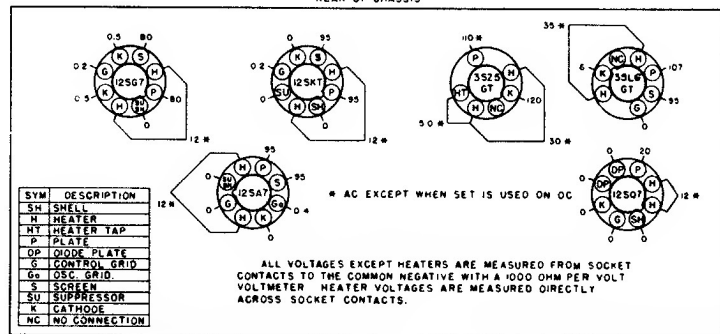
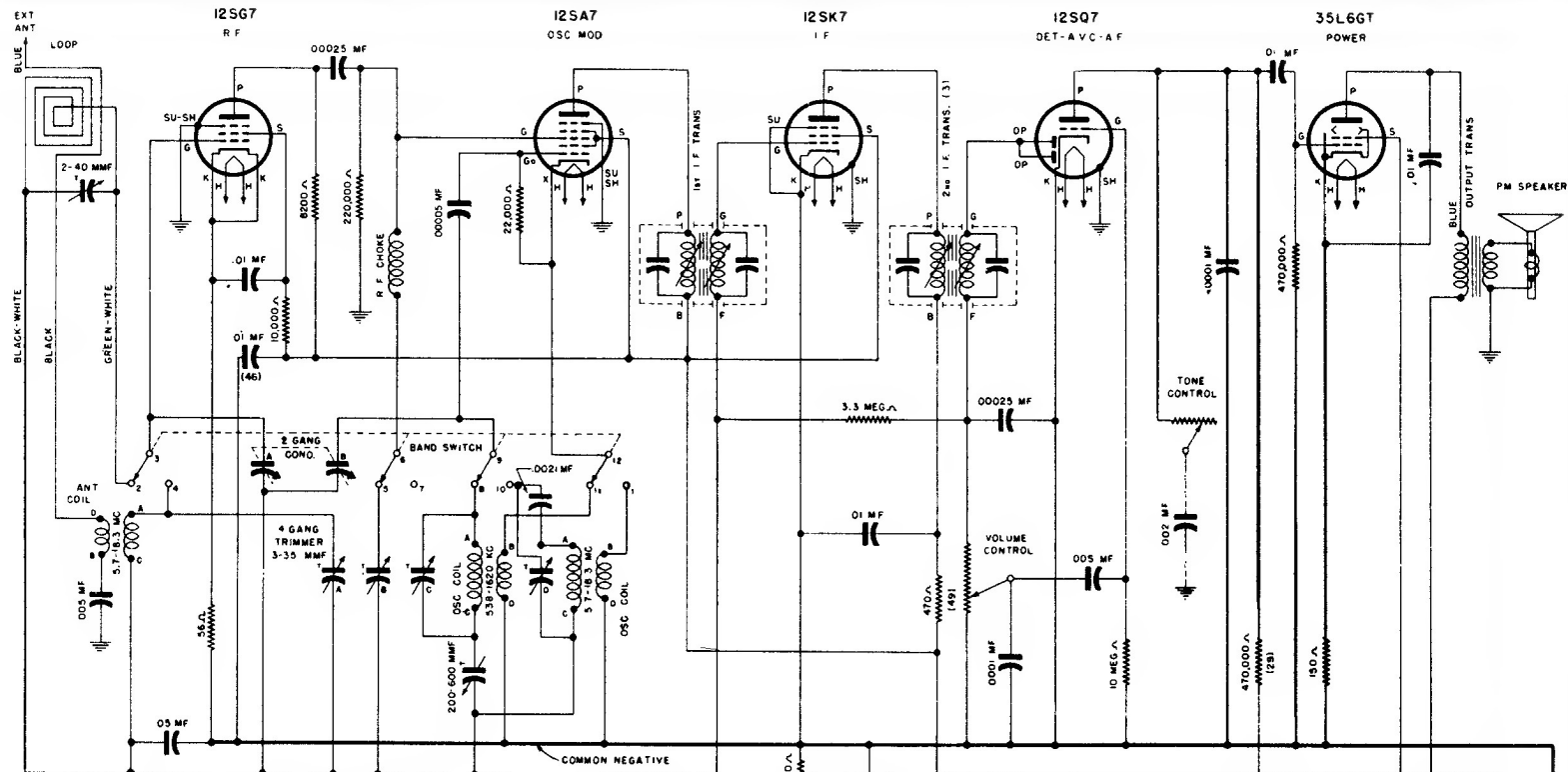


Allied Radio -- Knight Model 6A-122

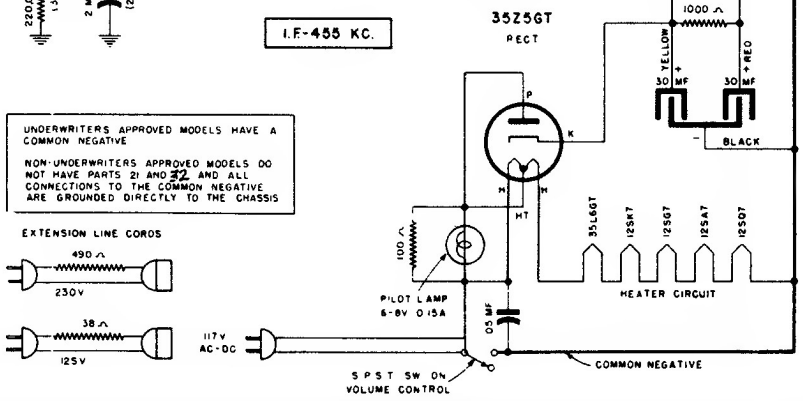


SYM	DESCRIPTION
SH	SHELL
H	HEATER
HT	HEATER TAP
P	PLATE
OP	ODIODE PLATE
G	CONTROL GRID
G ₂	OSC. GRID
S	SCREEN
SU	SUPPRESSOR
K	CATHODE
NC	NO CONNECTION

* AC EXCEPT WHEN SET IS USED ON OC

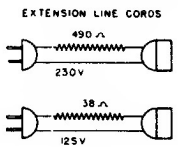
ALL VOLTAGES EXCEPT HEATERS ARE MEASURED FROM SOCKET CONTACTS TO THE COMMON NEGATIVE WITH A 1000 OHM PER VOLT VOLTMETER. HEATER VOLTAGES ARE MEASURED DIRECTLY ACROSS SOCKET CONTACTS.

VOLTAGE TABLE
(BOTTOM VIEW OF CHASSIS)



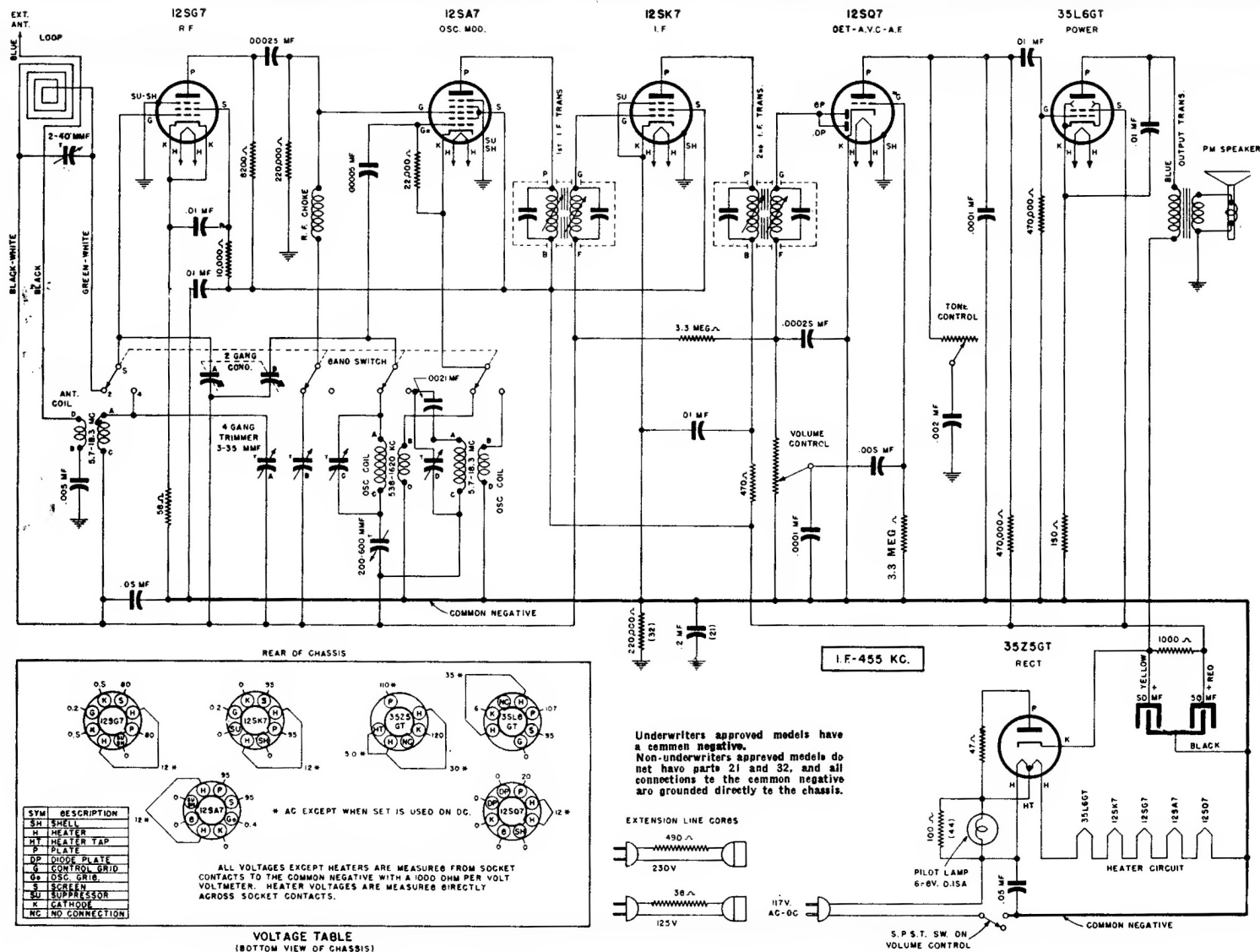
UNDERWRITERS APPROVED MODELS HAVE A COMMON NEGATIVE

NON-UNDERWRITERS APPROVED MODELS DO NOT HAVE PARTS 21 AND 22, AND ALL CONNECTIONS TO THE COMMON NEGATIVE ARE GROUNDED DIRECTLY TO THE CHASSIS



I.F.-455 KC.

35Z5GT
RECT



Underwriters approved models have a common negative.
Non-underwriters approved models do not have parts 21 and 32, and all connections to the common negative are grounded directly to the chassis.

