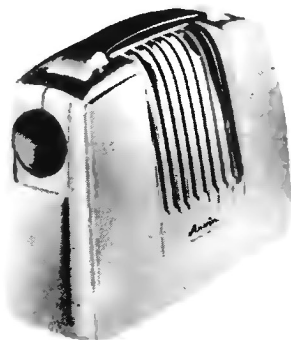


ARVIN RADIO

ARVIN RADIO, MODEL 446P; CHASSIS-RE-280
4 TUBE BATTERY PORTABLE



FREQUENCY RANGE

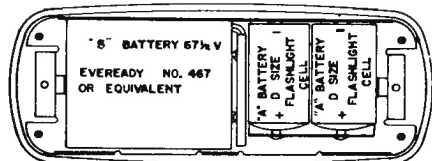
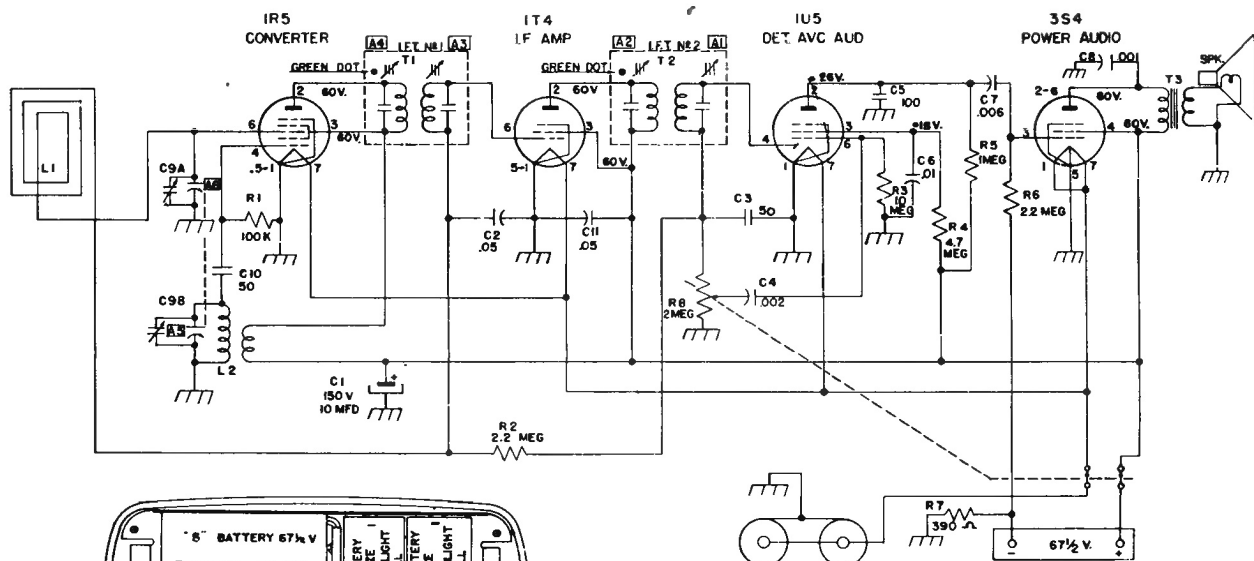
Broadcast 540-1600 kc
IF 455 kc

POWER SUPPLY

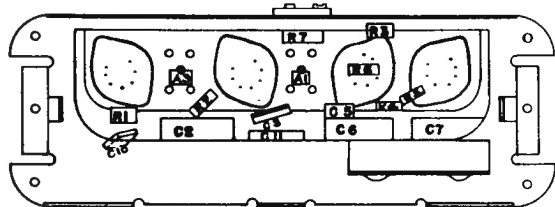
1 67½ V. B. Battery, Eveready Minimax, No. 467 or Equal.
2 1½ V. D. Size Flashlight Cells, Connected in Parallel.

POWER OUTPUT

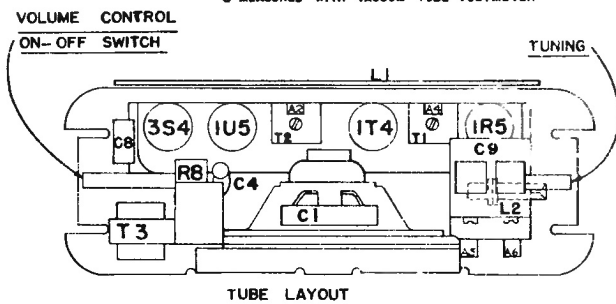
Undistorted06 Watts
Maximum15 Watts
Plate Load 10,000 Ohms



BATTERY INSTALLATION



LOCATIONS OF PARTS UNDER CHASSIS



• MEASURED WITH VACUUM TUBE VOLTMETER

TUBE LAYOUT

ALIGNMENT DATA

Preliminary

Output meter reading to indicate .05 watt across voice coil 0.4 V.
Generator ground lead connected to metal chassis.
Generator modulation 30%, 400 cycles.
Position of Volume control fully on.

Position of Variable	Generator Frequency	Dummy Antenna	Generator Connections	Adjust Trimmers (In order shown)	Trimmer Function
Open	455 KC	.05 MFD	Mixer Grid	A1, A2, A3, A4	I.F.
Open	1650 KC		Test Loop	A5	Osc.
1400 KC	1400 KC		Test Loop	A6	Ant.
600 KC	600 KC		Test Loop	Check Point	