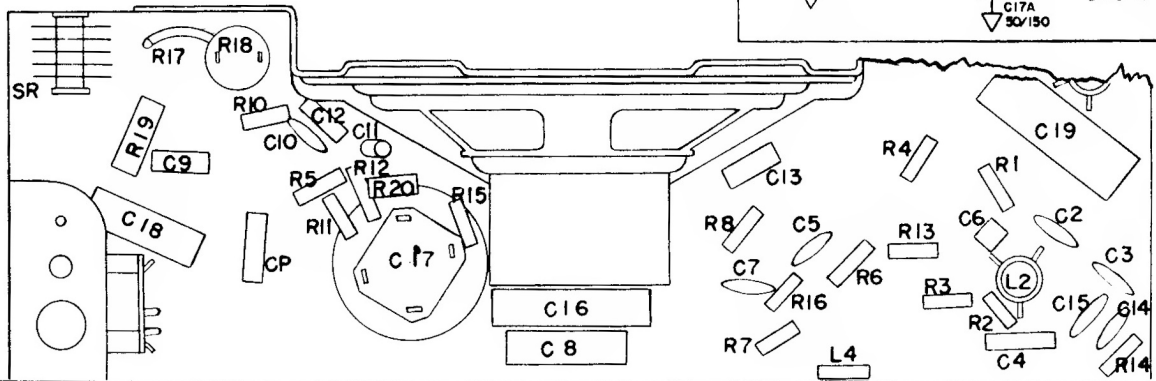


VOLTAGE MEASURED TO B-WITH A VACUUM TUBE VOLT-METER, IN A.C. OPERATION, WITH AN INPUT OF 117 VOLTS.



FREQUENCY RANGE
 Broadcast 540-1600 Kc
 IF 455 Kc

