

# HOME RADIO CHASSIS RE-55

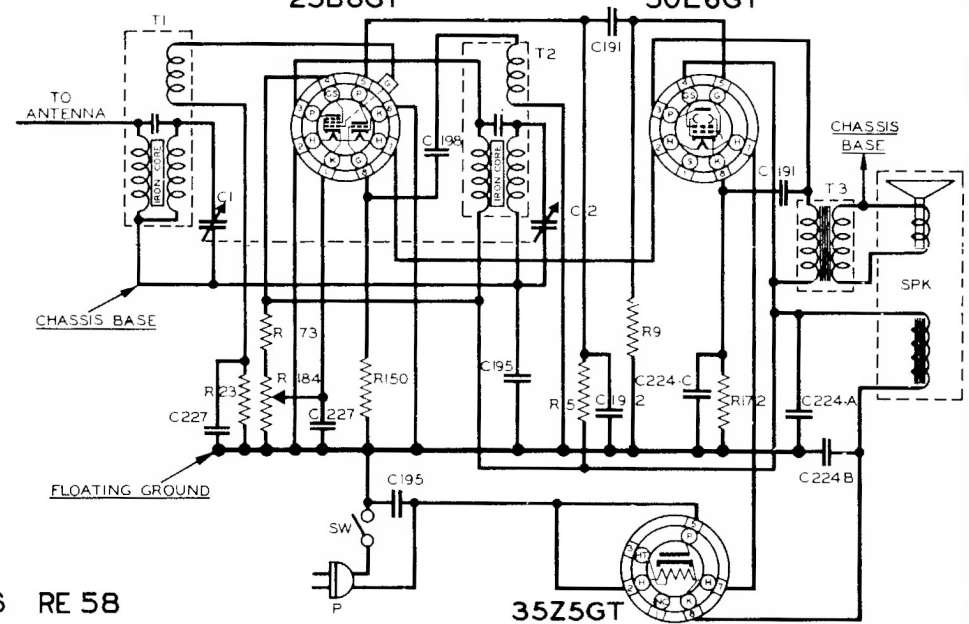
25B8GT

50L6GT

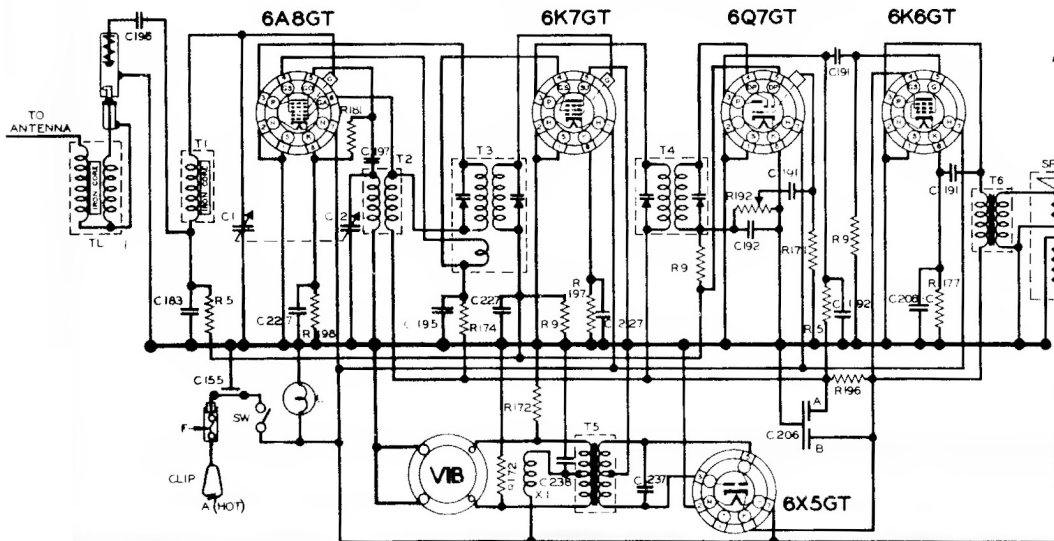
RESISTORS		CONDENSERS		CHOKE & TRANSFORMERS	
R	OHMS W PART NO	C	CAPACITY VOLTS PART NO	T, X	TYPE PART NO
5	500K 1/4 17-2070	1	TWO-GANG	T1	ANTENNA COIL 20-1044
10	1M 1/4 17-2080	2	VARIABLE	T2	SCREENING COIL 00-1442
171	15K 1/4 17-14288	153	0002 50V	3	FAST F D 00-1443
172	100 1/4 17-14278	237	500 50V	4	SEMI T F C L 00-1444
		2048	10 MFD 50V	5	POWER 50 00-1448
174	20K 1/4 17-1429	3048	20 MFD 50V	6	OUTPUT T AL 00-14415
177	850 1/4 17-14288	200C	20 MFD 75	X	CHIME 29-1423
181	100K 1/4 17-14303	131	20 50V	E	SUPPLY HOVL 29-1437
182	1M 1/4 17-14288	82	500-25 80		
183	500 1/4 17-14340	183	500 50V		
187	500 1/4 17-14342	187	500 50V		
190	200 1/4 17-14343	190	500 50V		
192	100 1/4 17-14343	192	500 50V		
197	100 1/4 17-14343	197	500 50V		
227	100 1/4 17-14343	227	500 50V		

MISCELLANEOUS UNITS		
SYMBOL	DESCRIPTION	PART NO
P	LINE CORD & PLUG ASSEMBLY	17-2228
L	LINE HOIST BELT & MATHON NO 84	17-1808
SPK	SPEAKER ASSEMBLY	17-1648
SW	POWER SWITCH	17-1808
T1	ANTENNA COIL	00-1444
T2	SCREENING COIL	00-1442
T3	OUTPUT TRANSFORMER	17-14747

IF PEAK 455 K.C.  
FREQUENCY RANGE 1575 TO 540 K.C.  
NOBLITT-SPARKS INDUSTRIES, INC.



# ARVIN CAR RADIO CHASSIS RE 58



RESISTORS		CONDENSERS		MISCELLANEOUS UNITS	
R	OHMS W PART NO	C	CAPACITY VOLTS PART NO	SYMBOL	DESCRIPTION
5	500K 1/4 17-2070	1	TWO-GANG	P	LINE CORD & PLUG ASSEMBLY
10	1M 1/4 17-2080	2	VARIABLE	SPK	SPEAKER ASSEMBLY
171	15K 1/4 17-14278	142	0002 50V	SW	LINE SWITCH
172	100 1/4 17-14278	195	500 50V	T1	ANTENNA COIL
174	20K 1/4 17-1429	198	500 50V	T2	R.F. COIL
177	850 1/4 17-14288	224A	10 MFD 150	T3	OUTPUT TRANSFORMER
181	100K 1/4 17-14303	224B	20 MFD 150		
182	1M 1/4 17-14288	224C	20 MFD 25		
183	500 1/4 17-14340	227	500 50V		

FREQUENCY RANGE  
1700 K.C. TO 540 K.C.

NOBLITT-SPARKS INDUSTRIES, INC.