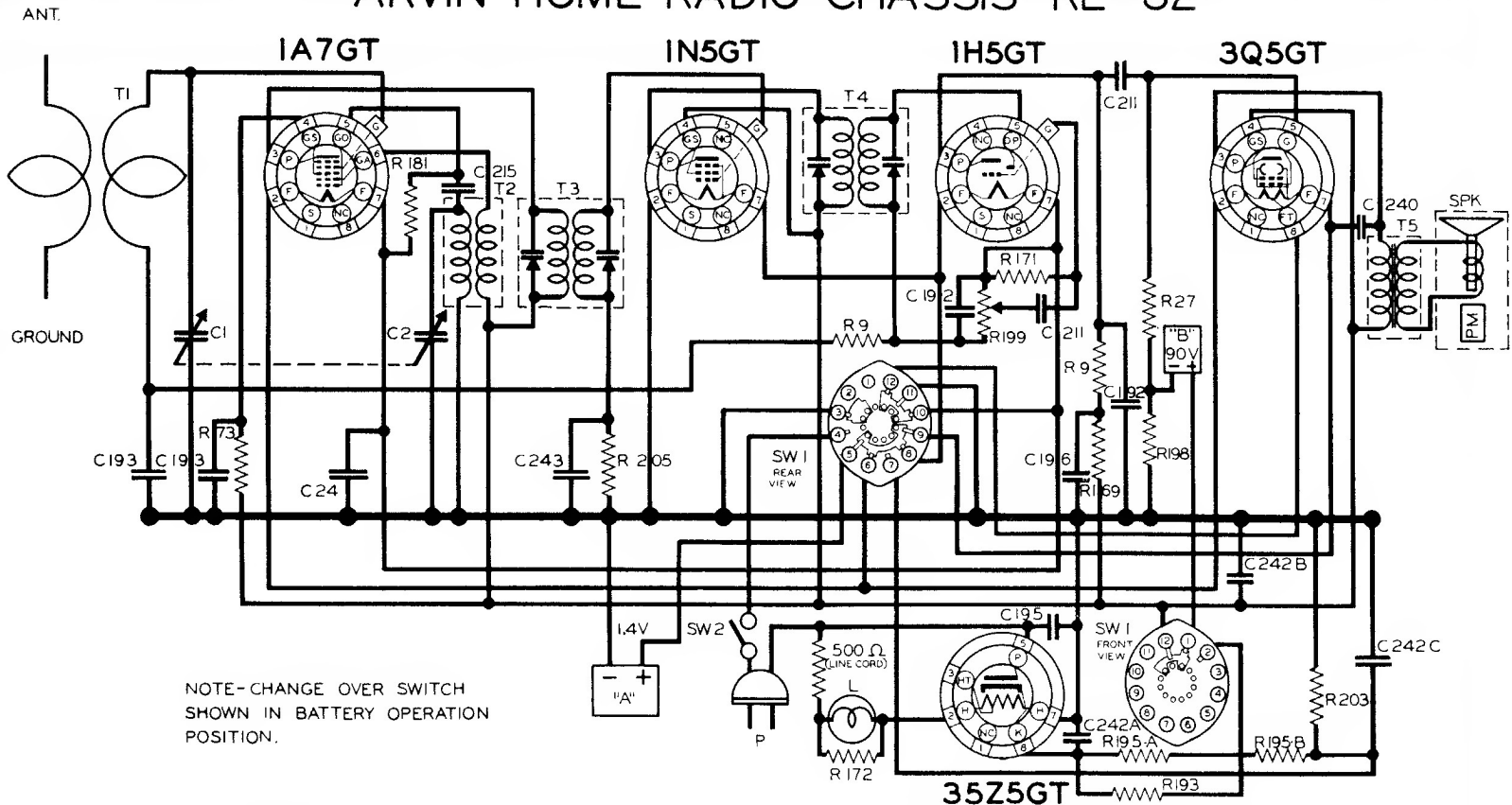


ARVIN HOME RADIO CHASSIS RE-82



NOTE-CHANGE OVER SWITCH SHOWN IN BATTERY OPERATION POSITION.

RESISTORS			CONDENSERS			TRANSFORMERS			MISCELLANEOUS UNITS		
R	OHM	W	C	CAPACITY	VOLT	T	TYPE	PART NO.	SYMBOL	DESCRIPTION	PART NO.
9	1M	1/4	1	TWO-GANG		1	ANTENNA LOOP	00-16973	A	1.5 VOLT "A" BATTERY	17-16563
27	2M	1/4	2	VARIABLE	17-16549	2	OSCILLATOR COIL	00-16404	B	TWO 45 VOLT B BATTERIES	17-16562
73	30K	1/4	192	.00025	600	3	FIRST I.F.	00-16578	L	DIAL LIGHT BULB MAZDA 47	17-16376
169	150K	1/4	193	.05	200	4	SECOND I.F. COIL	00-16579	P	LINE CORD & P JG. ASSEMBLY	17-16492
171	15M	1/4	195	.05	400	5	OUTPUT TRANS.	00-16566	SPK	SPEAKER ASSEMBLY - S. PERMANENT MAGNET	17-16663
172	100	1/4	196	.1	200				SW1	AC DC - BATTERY SWITCH	17-16564
181	100K	1/4	211	.01	200				SW2	VOLUME CONTROL & LINE SWITCH	17-14350
195A	460	2 1/4	215	.0001	600						
195B	1500	5 1/4	24	.5	200						
198	400	1/4									
199	1M	VC.	240	.003	400						
203	450	1/4	242A	40	150						
193	2K	1/4	242B	20	150						
205	3M	1/4	242C	100	25						
			243	002	200						

I F PEAK 455 K.C.
 BALANCE 1400 K.C. - CHECK AT 600 K.C.
 NOBLIT-SPARKS INDUSTRIES, INC.,
 COLUMBUS, INDIANA.

ARVIN MODEL 822 RADIO RECEIVER