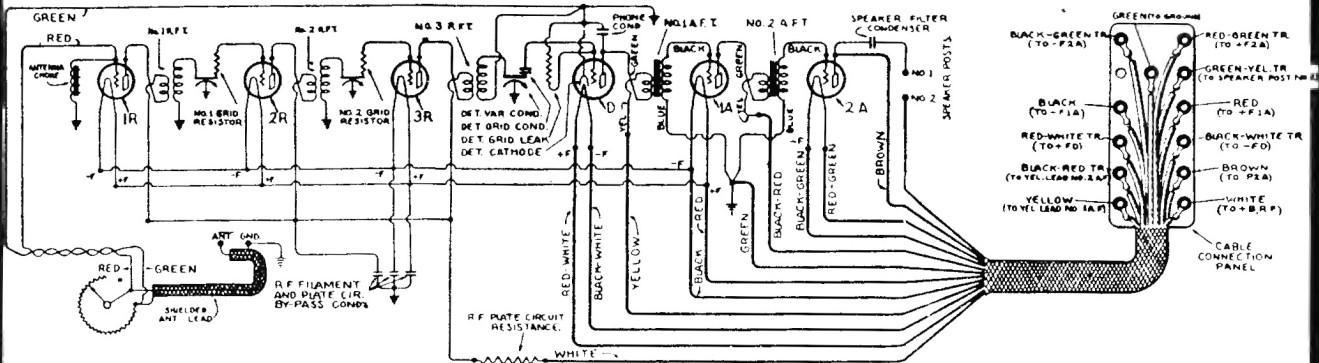


# ATWATER KENT RADIO

## MODEL 37, 37-F, 37-C CHASSIS



WIRING DIAGRAM OF MODEL 37, 37-F, 37-C.

A 2nd-A. F. filament-shunt resistor is used before Serial No. 1,385,000, in which case speaker post No. 2 connects to the centre tap of this resistor, and the green-yellow tracer lead is not used. The R. F. plate circuit resistor is used after Serial No. 1,385,000. In Model 37-C the on-off switch is connected to the two terminals on either side of the ground eyelet. A 2nd A. F. filament shunt resistor is used in the chassis of all Model 37-C receivers.

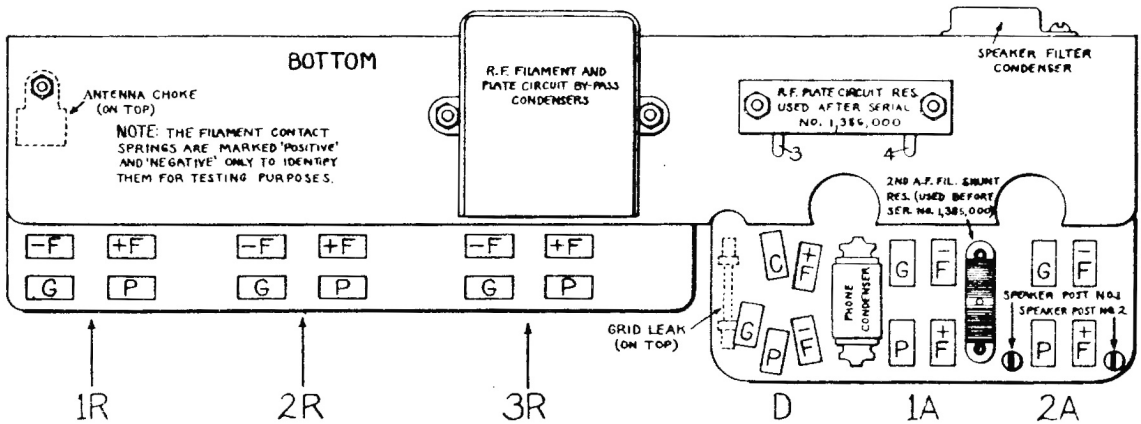
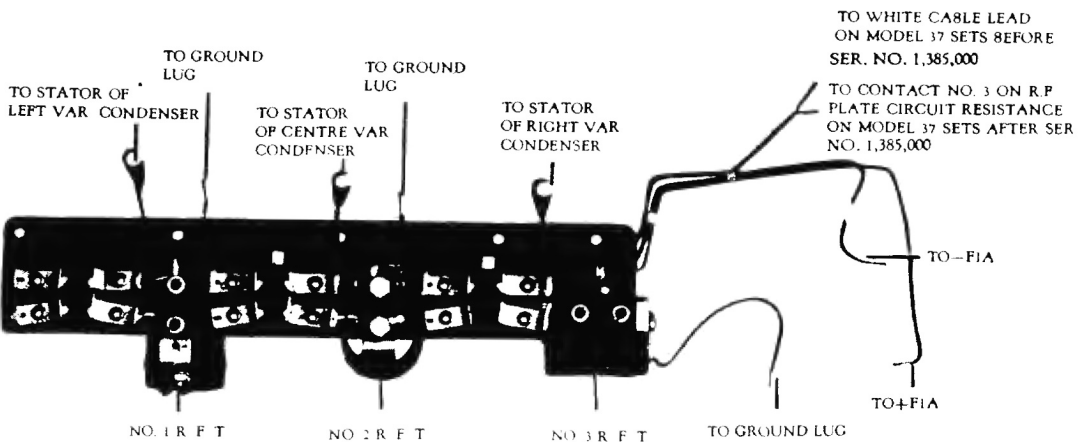


CHART FOR MODEL 37, 37-F, 37-C.



VIEW OF R. F. AMPLIFIER.