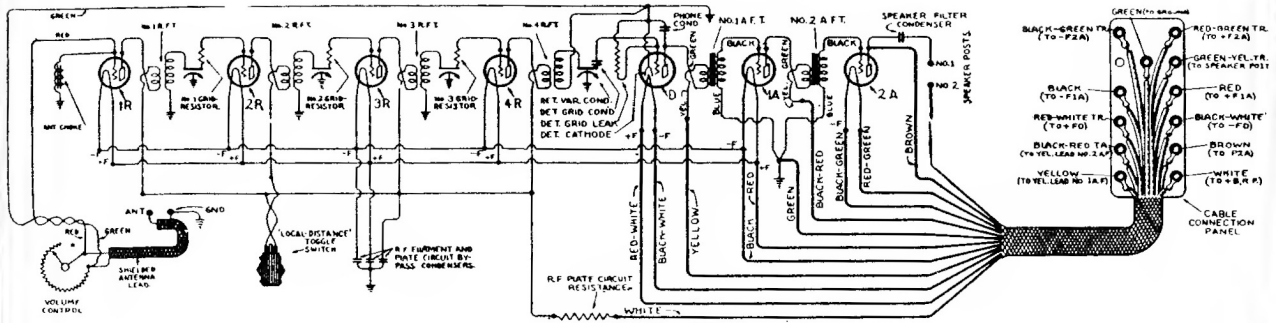


ATWATER KENT RADIO MODEL 38 CHASSIS



WIRING DIAGRAM OF MODEL 38.

A 2nd-A. F. filament-shunt resistor is used before Serial No. 1,752,000 and the green-yellow tracer cable lead is not used.

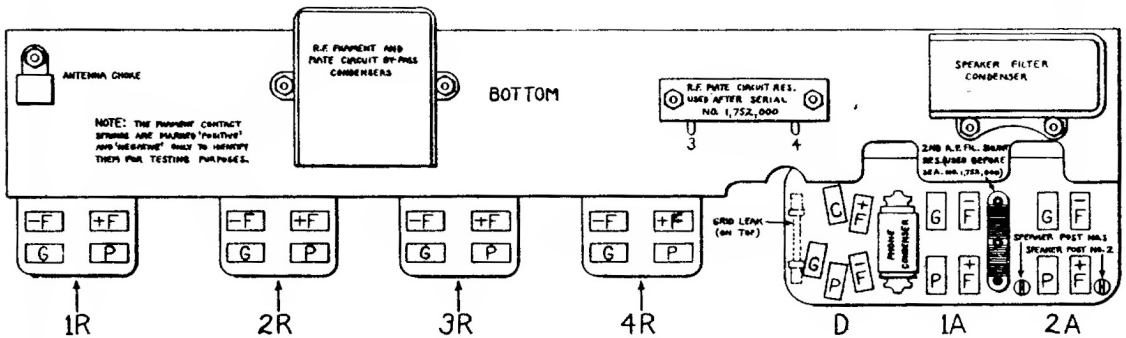
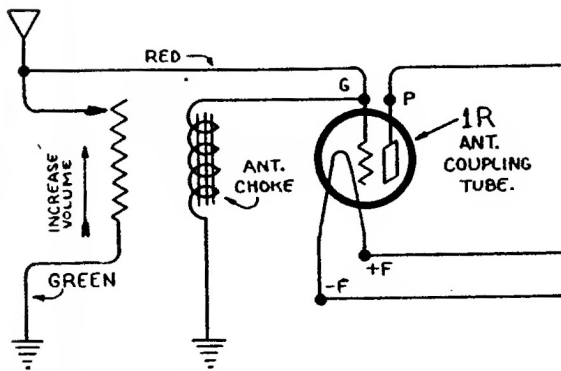
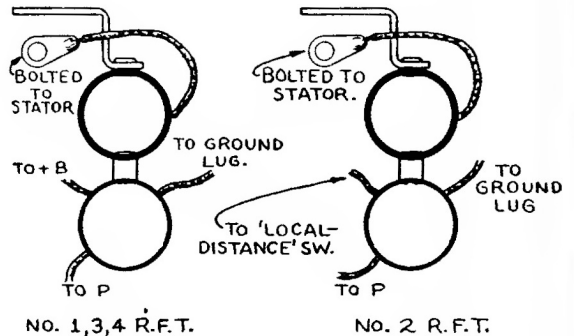


CHART FOR MODEL 38.



SCHEMATIC DIAGRAM OF VOLUME CONTROL IN
MODEL 37, 37-F, 37-C AND 38.



SKETCH SHOWING CONNECTIONS FROM R. F.
TRANSFORMERS, MODEL 38.