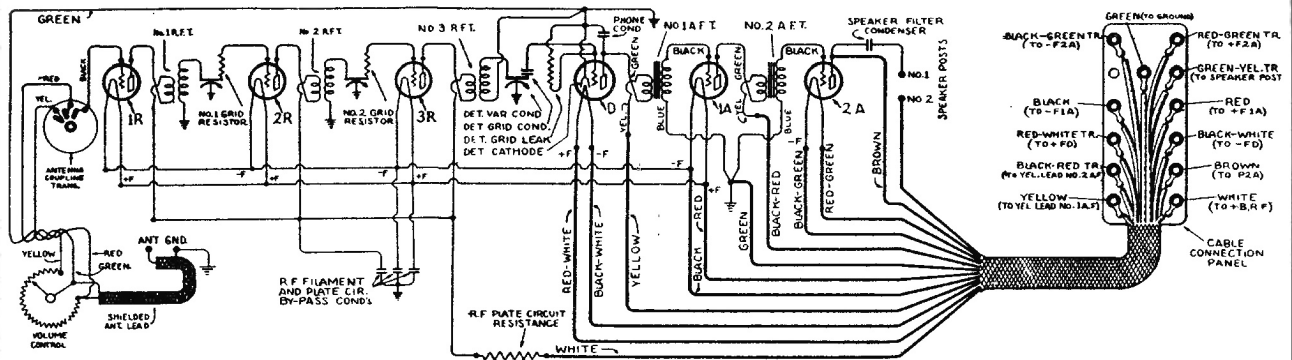


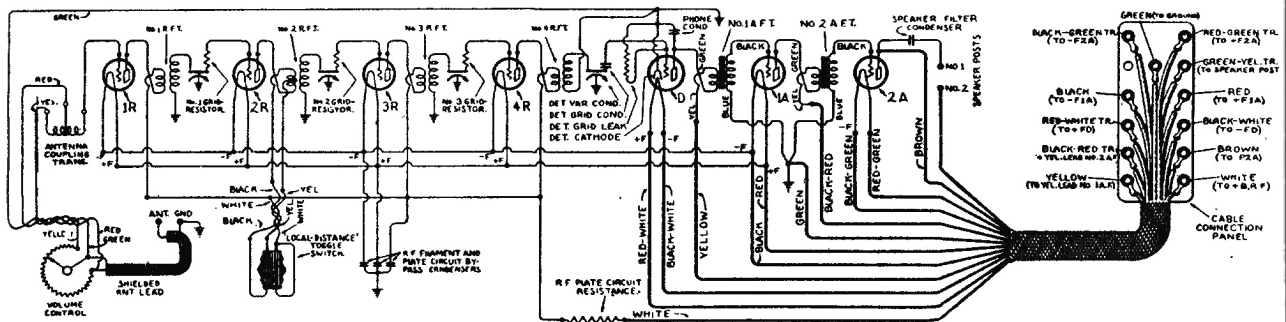
# ATWATER KENT RADIO

## MODEL 40, 40-F, 42, 42-F, 44, 44-F, 45, 52, 56 AND 57 CHASSIS

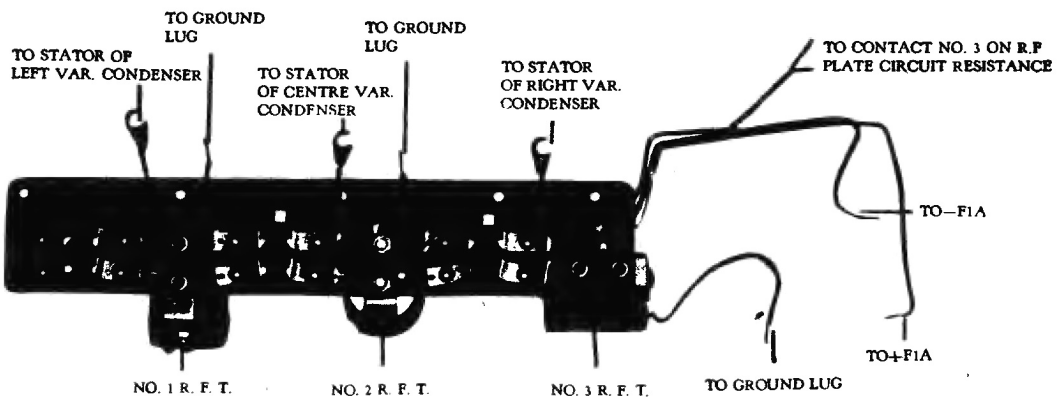


WIRING DIAGRAM OF MODEL 40, 40-F, 42, 42-F, 52, 56 AND 57.

Model 52 does not have the shielded antenna lead, but is provided with two twenty-foot leads which are connected to the volume control, black antenna and black-green tracer for ground. Model 56 and 57 have antenna and ground posts at the bottom of the cabinet.



WIRING DIAGRAM OF MODEL 44, 44-F AND 45.



VIEW OF R.F. AMPLIFIER ASSEMBLY IN MODEL 40, 40-F, 42, 42-F, 52, 56 AND 57.