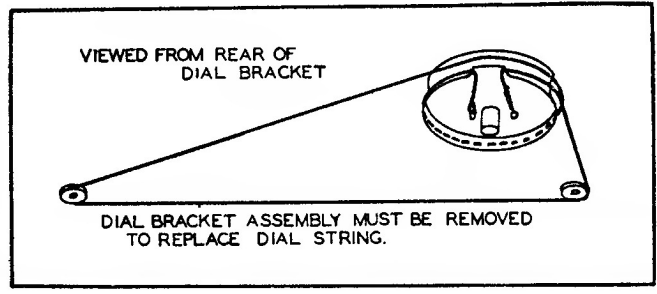


# Belmont Radio

## MODEL 5D110



**DIAL STRINGING VIEW**

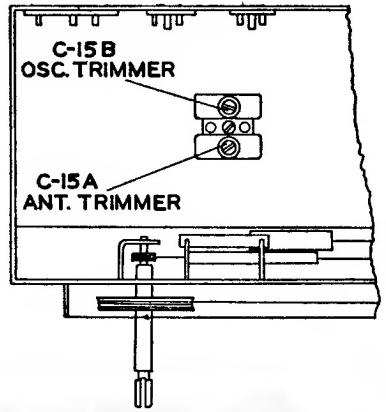
**NOTES**  
 VOLTAGES TAKEN WITH A 1000-OHMS-PER-VOLT VOLTMETER. DC SOCKET VOLTAGE READINGS ARE TAKEN BETWEEN PINS DESIGNATED AND B-.

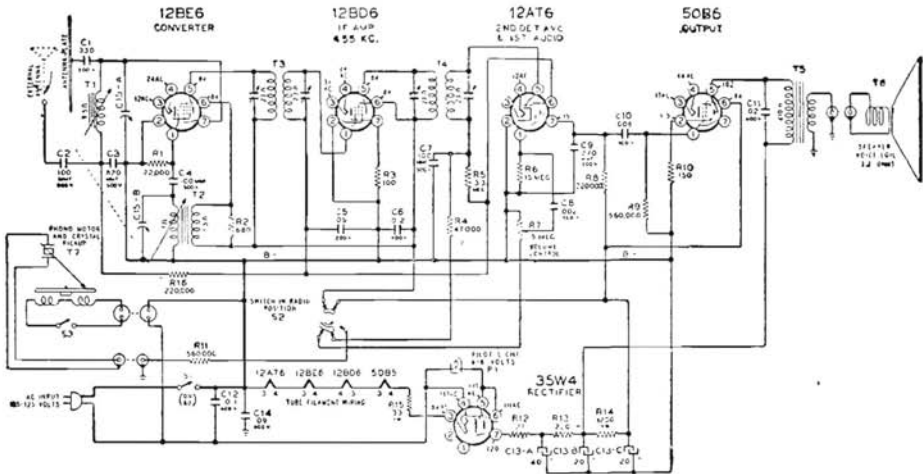
LINE VOLTAGE 117 AC

VOLTAGES SHOWN ARE DC UNLESS OTHERWISE INDICATED. CAPACITOR VALUES SHOWN ARE "MF" UNLESS OTHERWISE INDICATED.

ALL RESISTORS ARE 1/2 WATT UNLESS OTHERWISE INDICATED.

**Frequency Range**.....535-1720 kc.  
**Intermediate Freq**.....455 kc.





## BELMONT MOD. 5D110

Piccolo radiofonografo, con ricevitore a permeabilità variabile, valvole miniatura e antenna a piastra metallica interna.