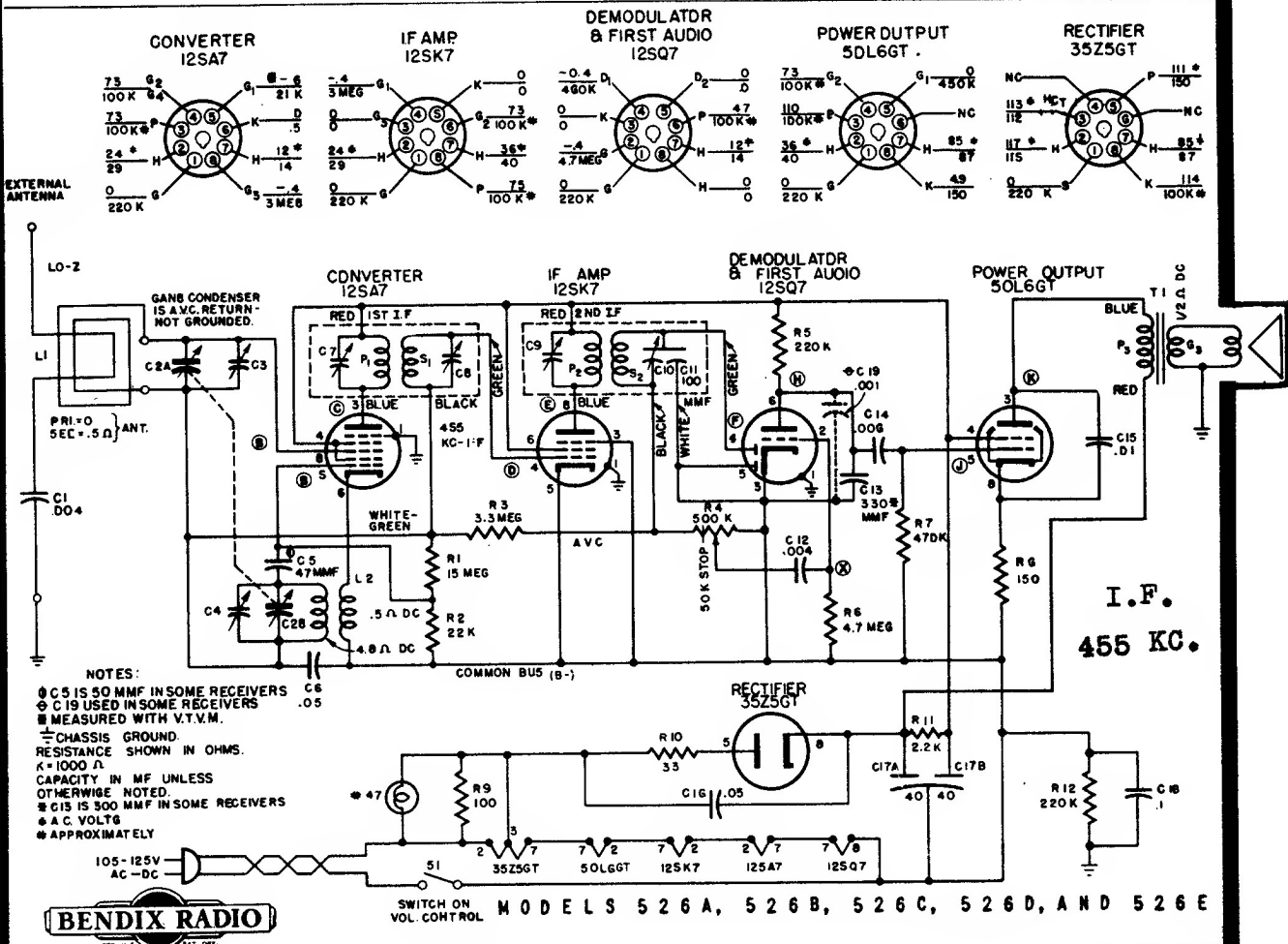


SOCKET VOLTAGE RESISTANCE TO COMMON BUS $\pm 10\%$. LINE VOLTAGE - 117 V. A.C. ZERO SIGNAL INPUT. VOL. CONT. MIN. D.C. AT 20,000 Ω/V . A.C. AT 1,000 Ω/V .



Bendix Radio MODEL 626-A

