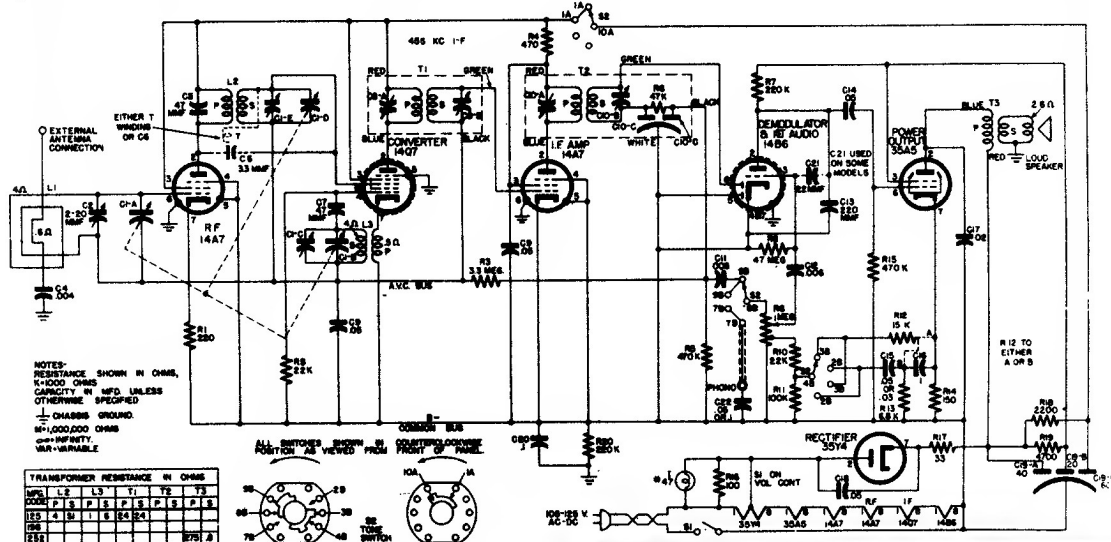
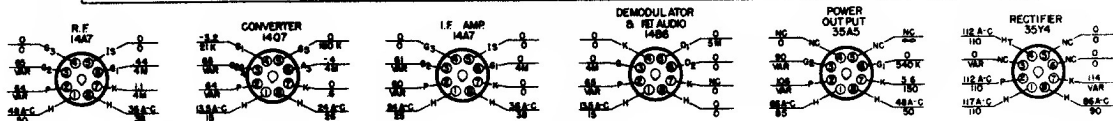


Bendix Radio

MODELS 636A 636C, & 636D

CONDITIONS OF MEASUREMENTS
 LINE VOLTAGE 117 A.C. ZERO SIGNAL INPUT VOL. CONT. MIN. SOCKET VOLTAGE RESISTANCE TO COMMON BUS $\pm 10\%$ DC AT 20,000 Ω/V A.C. AT 1000 Ω/V



NOTES:
 RESISTANCE SHOWN IN OHMS, 1=1000 OHMS
 CAPACITY IN MFD. UNLESS OTHERWISE SPECIFIED
 - CHASSIS GROUND
 100,000,000 OHMS
 ∞=INFINITY
 VAR=VARIABLE

TRANSFORMER RESISTANCE IN OHMS									
WINDING	L1	L2	L3	T1	T2	T3			
100	1	2	3	4	5	6	7	8	9
100	1	2	3	4	5	6	7	8	9
100	1	2	3	4	5	6	7	8	9
100	1	2	3	4	5	6	7	8	9

Alignment Procedure

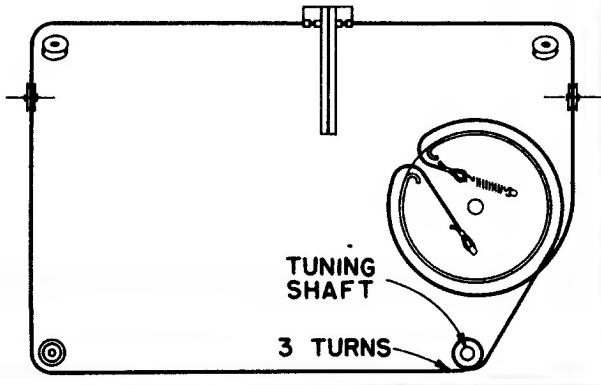
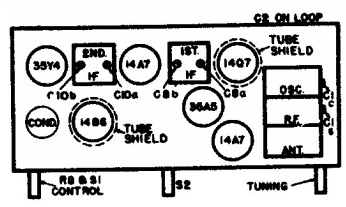
Connect line cord plug to 117 volt, 60 cycles AC power source. Set volume control at maximum clockwise position and tone control (S2) in counterclockwise position. Connect output meter across voice coil. Adjust dial pointer by turning tuning control fully counterclockwise and sliding dial pointer on dial cord until it is exactly 2 3/16" from left end of dial back plate. Make all adjustments in order given in table and for maximum output. Dial Pointer Positions given measured from left hand end of dial back plate. Keep input as low as possible at all times.

Precautions

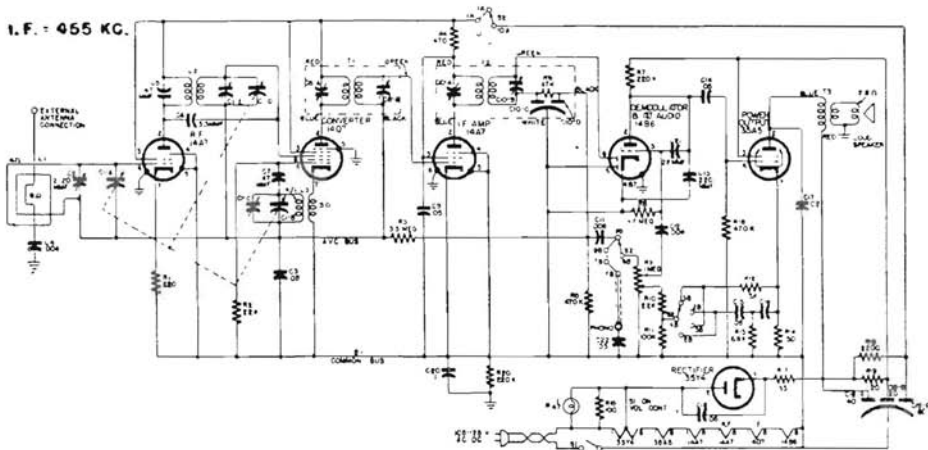
An isolating transformer should be used between the power supply and the receiver if any of the test equipment is AC operated. The use of isolating capacitors is not recommended as AC through the capacitor may introduce hum modulation, and if the capacitors should break down the test instruments will likely be damaged.

Circuit Aligned	Input Freq.	Dial Pointer Position	Adjustments
IF	*455 KC	Max. to right	C10b, C10a C8b, C8a
OSC.	**1475 KC	6 3/4"	C1c
RF	**1475 KC **965 KC **580 KC	6 3/4" 5 2-23/32"	C1c, C2 Check Calib.

* Applied to Antenna input .1 mfd. or less.
 ** Applied to Antenna input through 50 mmf. or less.



I. F. = 455 KC.



BENDIX MOD. 636 A

Piccola supereterodina CA/CC con valvole loctal, provvista di amplificazione AF, antenna esterna e telaio interno.