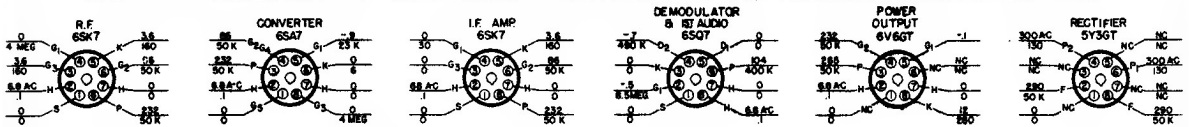


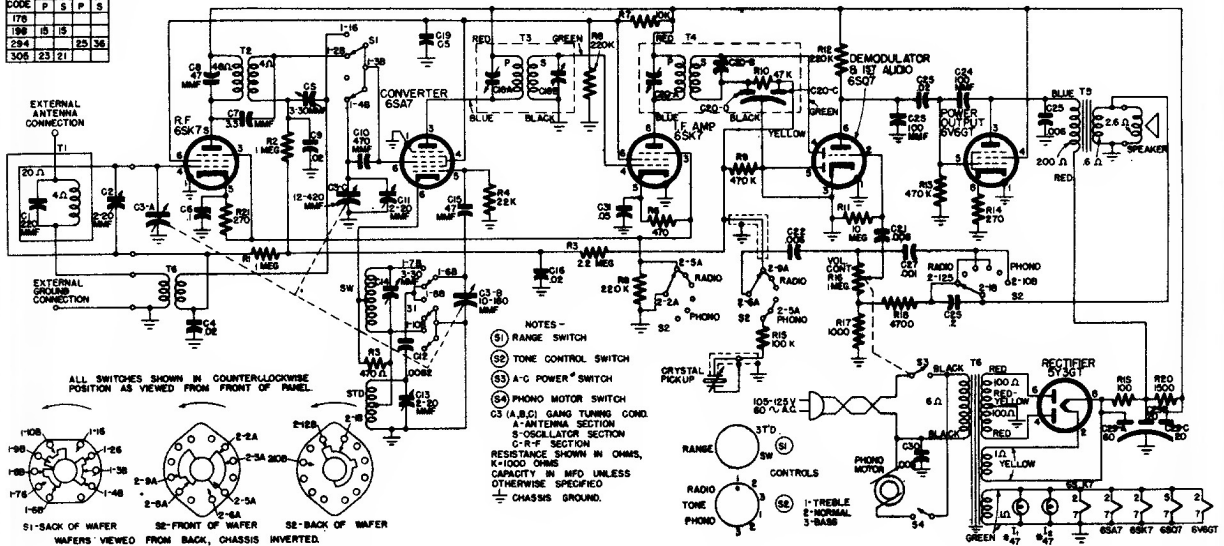
Bendix Radio

MODELS 676B, 676C, & 676D

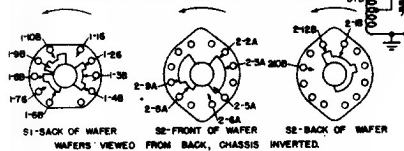
CONDITIONS OF MEASUREMENTS
 LINE VOLTAGE 117 A.C. ZERO SIGNAL INPUT VOL. CONT. MIN. SOCKET VOLTAGE RESISTANCE TO COMMON GROUND $\frac{1}{2}$ DC AT 20,000 Ω/V AC AT 1,000 Ω/V



TRANSFORMER RESISTANCE IN OHMS				
MFD	T3	T4		
CODE	P	S	P	S
176	15	15		
224			23	36
306	23	21		



- NOTES -
- (S1) RANGE SWITCH
 - (S2) TONE CONTROL SWITCH
 - (S3) A-C POWER SWITCH
 - (S4) PHONO MOTOR SWITCH
 - G3 (A,B,C) GANG TUNING COND.
 - A-ANTENNA SECTION
 - S-OSCILLATOR SECTION
 - C-R-F SECTION
- RESISTANCE SHOWN IN OHMS, K=1000 OHMS CAPACITY IN MFD UNLESS OTHERWISE SPECIFIED \perp CHASSIS GROUND.



Alignment Procedure

Connect line cord plug to 117 volt, 60 cycles AC power source. Set volume control at maximum clockwise position and tone control (S2) in counterclockwise (Radio 1) position. Connect output meter across voice coil. Adjust dial pointer by turning tuning control fully counterclockwise and sliding dial pointer on dial cord until it is exactly 2 3/4" from left end of dial back plate. Make all adjustments in order given in table and for maximum output. Dial Pointer Positions given measured from left hand end of dial back plate. Keep input as low as possible at all times. Range switch (S1) in ST'D position except as noted in table.

Circuit Aligned	Input Frequency	Dial Pointer Position	Adjustments
IF	* 455KCS	Max. to right	C20B, C20A C16B, C16A
OSC Broadcast	**1475KCS	7 3/4"	C13
RF Broadcast	**1475KCS **965KCS **580KCS	7 3/4" 5 15/16" 3 3/8"	C11, C2 Check Calib.
+OSC Shortwave	**11MCS	7 3/4"	C14
+RF Shortwave	**11MCS 9MCS 6MCS	7 3/4" 6 9/16" 3 1/2"	C5 Check Calib.

*Applied to antenna through .1 mfd. or less.
 **Applied to antenna through 200 mmf. or less.
 +Range switch (S1) in SW position.

