

Bendix Radio

SPECIFICATIONS: Model 697A

6 Tube AC-OC and Selenium Rectifier

POWER
 Voltage (Chassis only).....105-125V AC or OC
 Consumption (Including Changer).....72 Watts, 60 Cycle AC
TUNING RANGE.....540 - 1620 K.C.
INTERMEDIATE FREQUENCY.....455 K.C.

TUBES
 12BE6 Converter
 12BA6 IF Amp.
 12AT6 Oemodulator & 1st Audio
 12BA6 Inverter
 35B5 (2) Push Pull
 Beam Power Output

POWER OUTPUT (Max.).....3.5 Watts
PICKUP.....High Impedance Crystal
LOUDSPEAKER --- PM
Cone Diameter.....8 Inches
V.C. Impedance - 400 Cycles.....3.2 Ohms

MODEL 697A



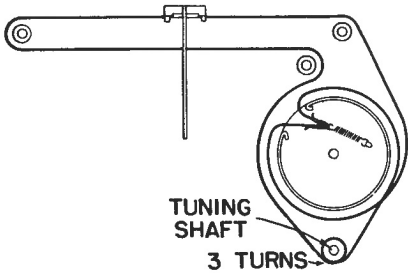
Alignment Procedure:

PRELIMINARY:
 Close gang completely and set pointer directly over reference mark on back plate, Fig. 1. Connect output meter across voice coil on low scale. Rotate volume control full on, maximum clockwise. Rotate radio-phonograph switch to radio - full C.C.W. **PRECAUTION:**

An isolating transformer should be used between the power supply and the receiver if the test equipment is AC operated.

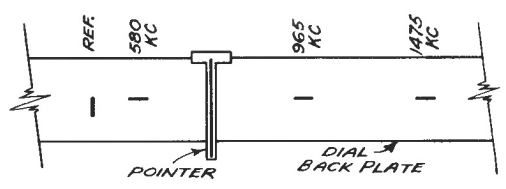
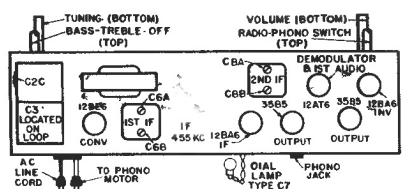
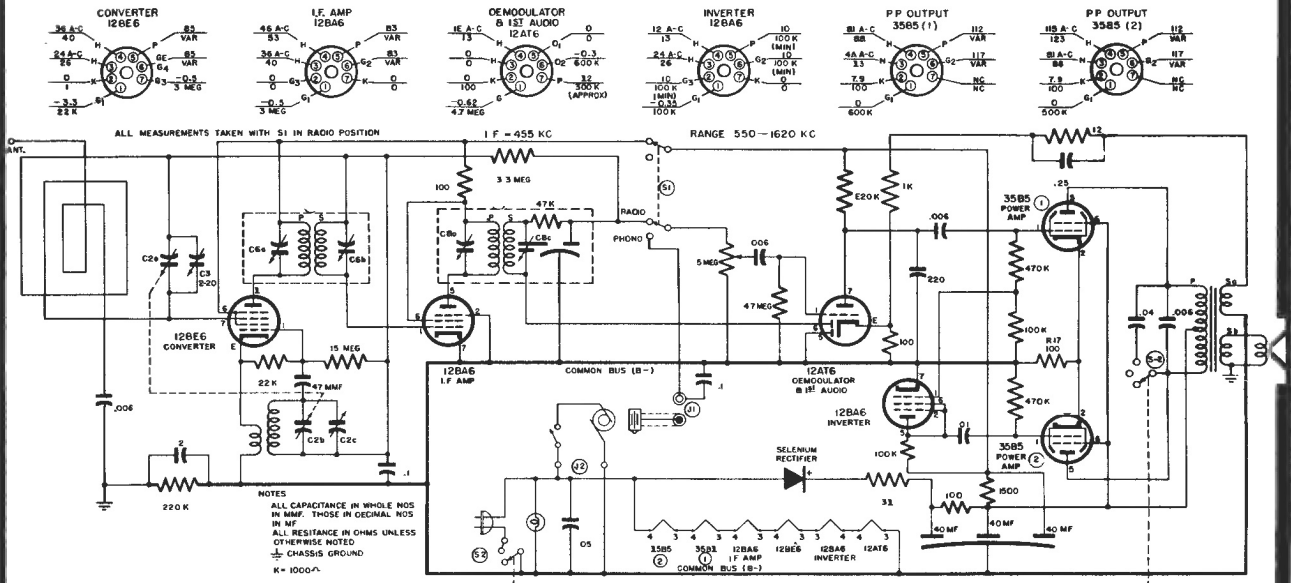
GENERAL FREQ.	POINTER POSITION	APPLY THROUGH	TO	ADJUST FOR MAX. OUTPUT
455 KC	Max. to right	.01 Mfd	Input Grid 12BE6	C6A, C6B, C6A, C6B
1475 KC	Center of 1475 Ref. Mark	50 Mmfd or less	External Ant. Conn.	C2C, C3
965 KC	Approx. 965 Ref. Mark	"	"	" Check Calibration
580 KC	Approx. 580 Ref. Mark	"	"	"

* If calibration is not within limits inscribed on back plate, oscillator and antenna gang rotor sections must be bent.



DIAL STRINGING DIAGRAM

LINE VOLTAGE 115 A-C ZERO SIGNAL INPUT VOL. CONT. MIN. CONDITIONS OF MEASUREMENTS SOCKET VOLTAGE RESISTANCE TO COMMON BUS ± 10% C-C AT 60,000 μ V A-C AT 1,000 μ V



- DIAL BACK PLATE REFERENCE MARKS