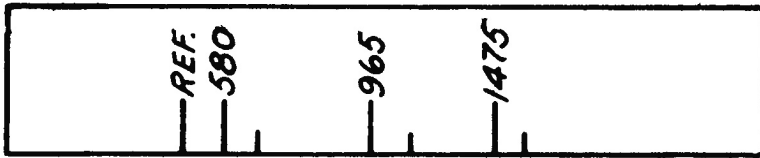


Bendix Radio



Dial Back Plate

Model R526M

5 Tube AC-DC Chassis

Power

Voltage.....105-125 V. A.C. or D.C.
 Frequency.....50-60 Cycles per Second
 Power Consumption.....30 Watts
 I.F. Frequency.....455 K.C.
 Tuning Range.....540-1620 K.C.
 Max. Power Output.....1.5 Watts
 Loud Speaker.....P.M.
 Cone Diameter.....4 Inches
 Voice Coil Impedance..400 Cycles, 3.2 Ohms

ALIGNMENT CHART

Before alignment begins, set middle of pointer over "Reference" line - with Gang Condenser completely closed - See Figures 1.

| CIRCUITS ALIGNED | DIAL POINTER | INPUT FREQUENCY | APPLY THROUGH | TO | ADJUST |
|------------------|----------------|-----------------|---------------|---------------------------|---------------------|
| I.F. | Max. to Right | 455 K.C. | .01 Mfd | Input Grid 12BE6 | C3a, C3b, C6a, C6b. |
| Broadcast | 1475 Ref. Mark | 1475 K.C. | 50 Muf | External Antenna Terminal | C1d C1b |
| Broadcast | 965 Ref. Mark | 965 K.C. | 50 Muf | " | Check Calibration* |
| Broadcast | 580 Ref. Mark | 580 K.C. | 50 Muf | " | Check Calibration* |

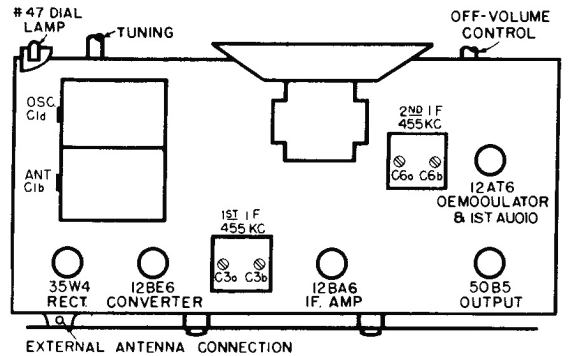
* If calibration does not check within one pointer's width of the frequency mark, both oscillator and antenna sections of the gang condenser must be "knifed" properly.

Alignment Procedure

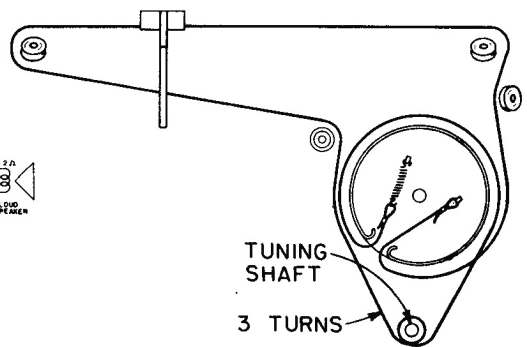
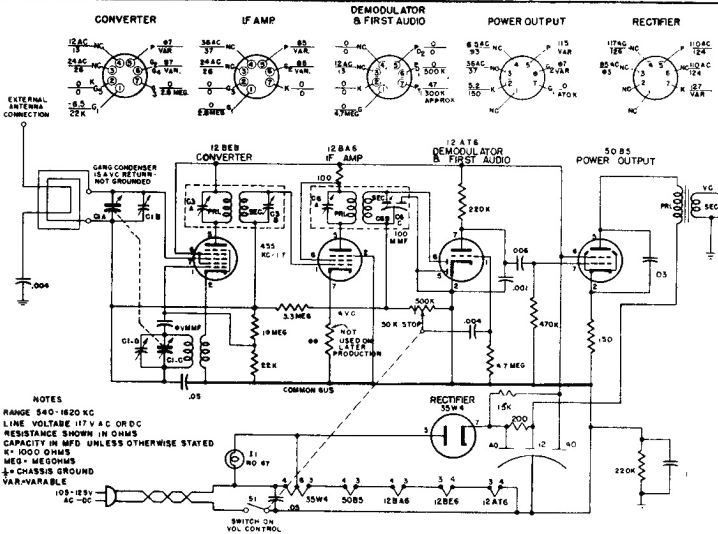
Set volume control at maximum. Use low range on output meter and keep signal generator input as low as practical. Make adjustments as shown in table for maximum output - with output meter connected across voice coil.

Precautions

An isolating transformer should be used between the power supply and the receiver for protection of test equipment.



STANDARD CONDITIONS
 BANDWIDTH VOLTAGE REFERENCE TO COMMON BUS ±10% LINE VOLTAGE 117 V. A.C. ZERO SIGNAL INPUT VOL. CONT. MIN. DC AT 20,000 Ω/V. AC AT 1,000 Ω/V.



DIAL STRINGING DIAGRAM

NOTES
 RANGE 540-1620 KC.
 LINE VOLTAGE 117 V. A.C. OR DC
 RESISTANCE SHOWN IN OHMS
 CAPACITY IN MFD. UNLESS OTHERWISE STATED
 K = 1000 OHMS
 MEG = MEGOHMS
 CHASSIS GROUND
 VAR-VARIABLE
 100-1000
 RC-DC