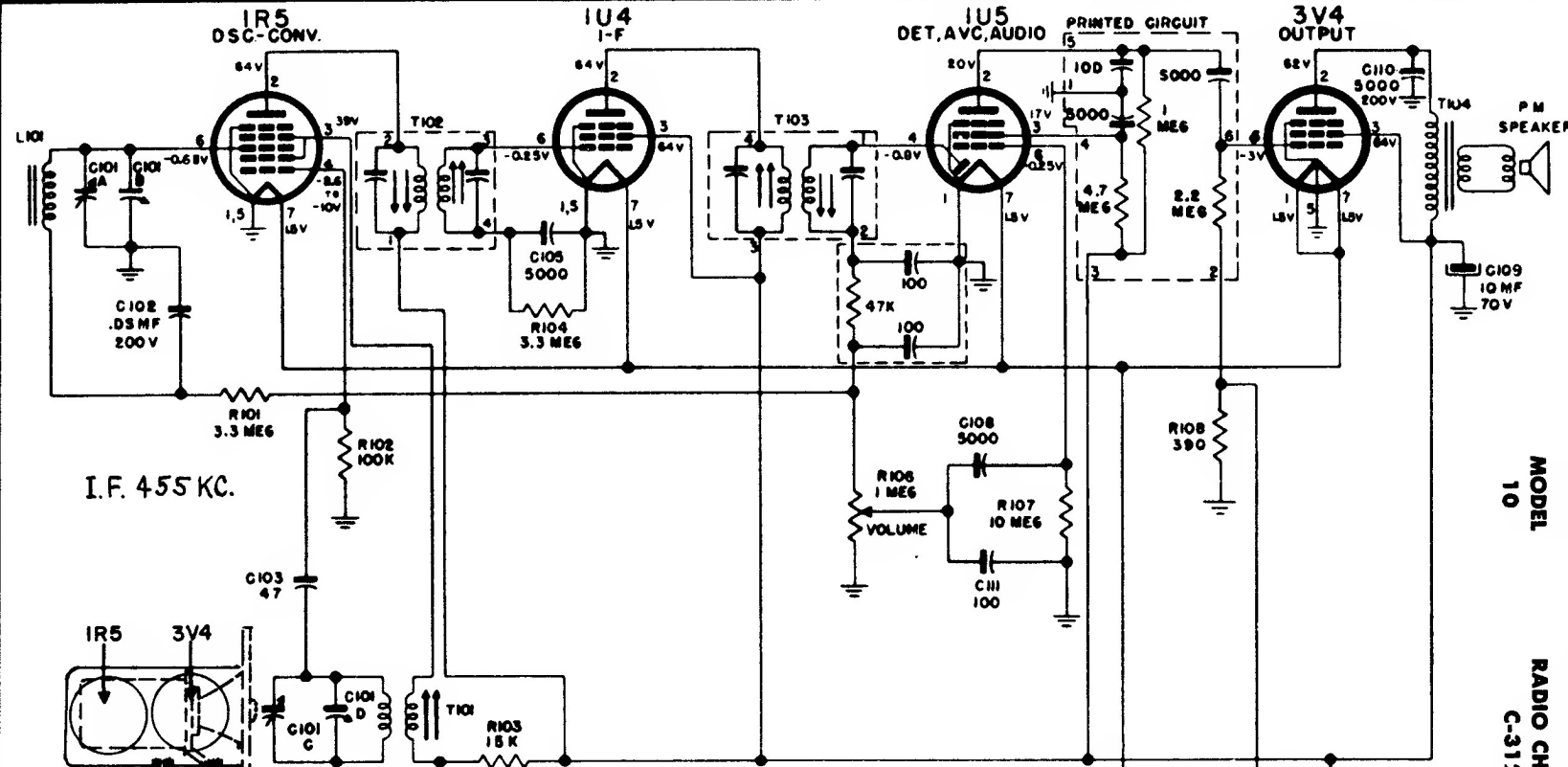


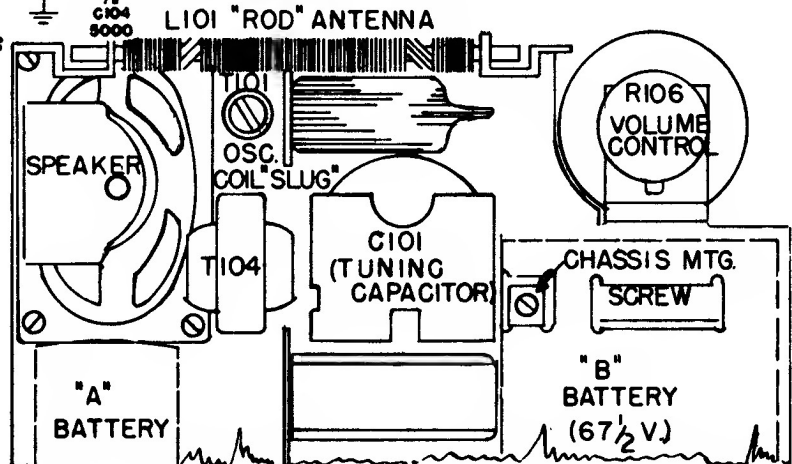
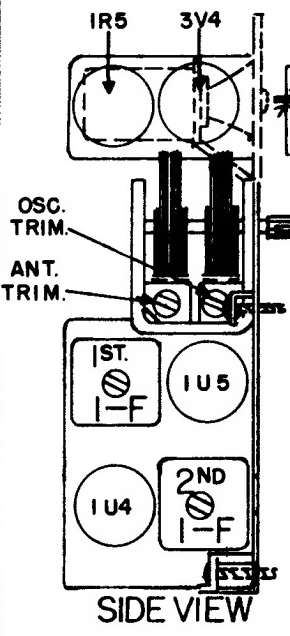
# CAPEHART - FARNSWORTH CORPORATION

## SERVICE INFORMATION

MODEL 10 RADIO CHASSIS C-312



I.F. 455 KC.



VOLTAGE READINGS MAY VARY WITHIN 20%.  
 MEASUREMENTS MADE WITH VOLTOMYST OR EQUIV.  
 VOLTAGE MEASUREMENTS MADE FROM CHASSIS GROUND.  
 UNLESS OTHERWISE NOTED RESISTORS 1/2 W. CARBON 10% TOLERANCE, CAPACITORS 400V.

**Gain Measurements:**

- 1R5 Conv. Grid (pin 6) to 1U4 Grid (pin 6) ..... .25 @ 1000KC
- 1U4 Grid (pin 6) to 1U5 Diode plate (pin 4) ..... .74 @ 455KC
- 1U5 Diode Plate (pin 4) to 3V4 Grid (pin 6) ..... .37 @ 455KC
- 3V4 Grid (pin 6) to Speaker Voice Coil ..... .19 @ 400 C.P.S.