

Caphart

CLOCK - RADIO

MODEL
TC-20

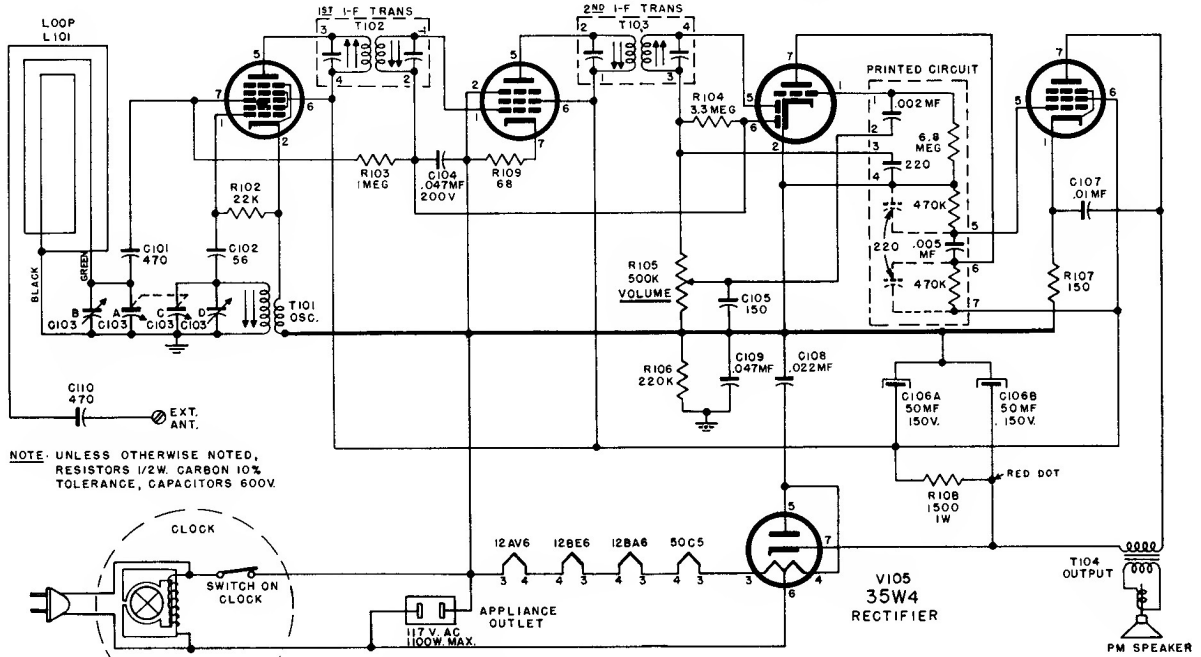
RADIO CHASSIS
C-297

V101
12BE6
OSC.-CONV.

V102
12BA6
I-F AMP.

V103
12AV6
DET. AVC - 1ST AUDIO

V104
50C5
OUTPUT



NOTE: UNLESS OTHERWISE NOTED,
RESISTORS 1/2W. CARBON 10%
TOLERANCE, CAPACITORS 600V.

