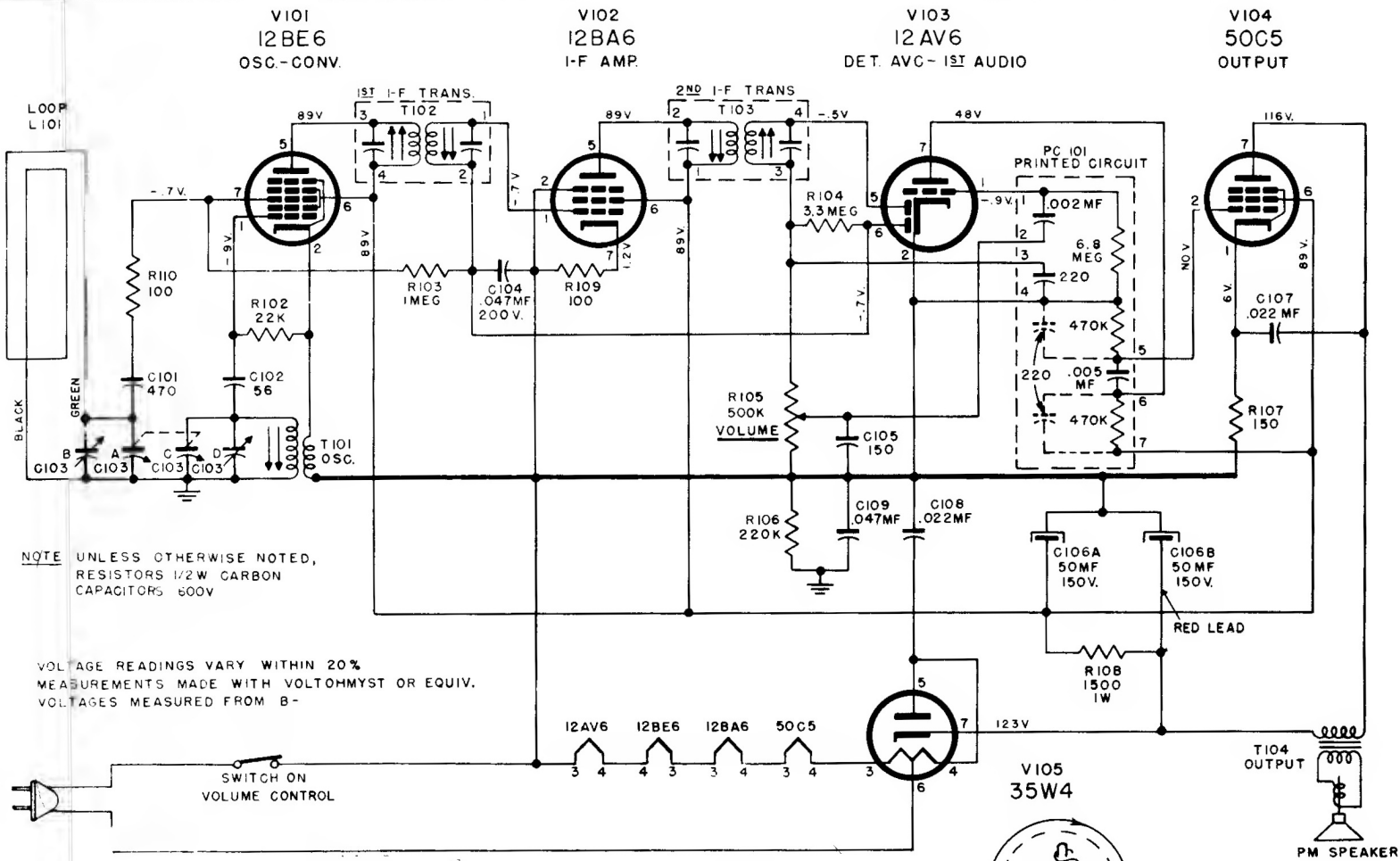


# CAPEHART - FARNSWORTH CORPORATION

An I&T Associate

MODEL  
T-522

RADIO CHASSIS  
CR-76



**NOTE** UNLESS OTHERWISE NOTED,  
RESISTORS 1/2 W CARBON  
CAPACITORS 600V

VOLTAGE READINGS VARY WITHIN 20%  
MEASUREMENTS MADE WITH VOLTOHMYST OR EQUIV.  
VOLTAGES MEASURED FROM B-

