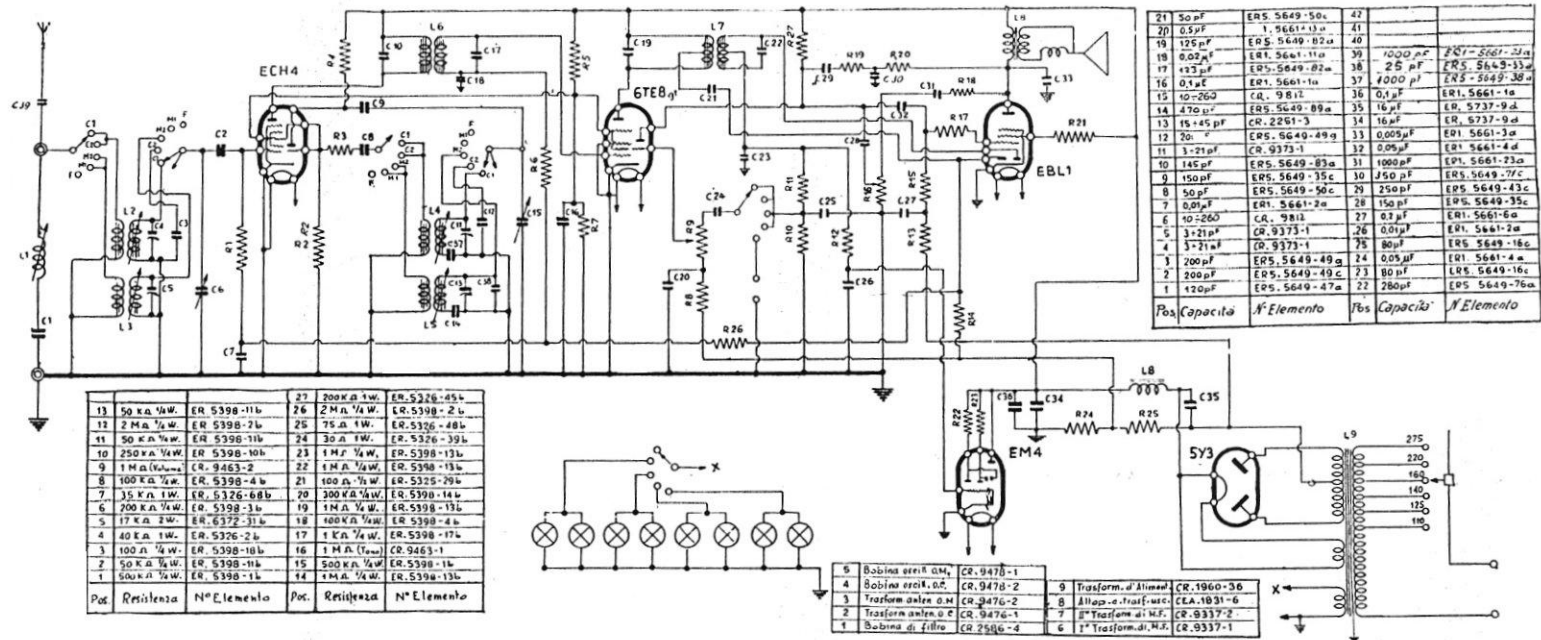


EM 6-62

• 3 = 21pF • 200pF  
MF 468 kHz

COMPAGNIA GENERALE DI ELETTRICITA' - MOD. « 175 »



21	50 pF	ERS. 5649-50c	42		
20	0.5 pF	1. 5661-13a	41		
19	125 pF	ERS. 5649-82a	40		
18	0.02 pF	ER1. 5661-11a	39	1000 pF	ER1-5661-21a
17	+23 pF	ERS. 5649-82a	38	25 pF	ERS. 5649-33a
16	0.1 pF	ER1. 5661-10a	37	1000 pF	ERS. 5649-38a
15	10-260	CR. 9812	36	0.1 pF	ER1. 5661-1a
14	470 pF	ERS. 5649-89a	35	16 pF	ER. 5737-9d
13	15+45 pF	CR. 2261-3	34	16 pF	ER. 5737-9d
12	20 pF	ERS. 5649-49g	33	0.005 pF	ER1. 5661-3a
11	3-21 pF	CR. 9373-1	32	0.05 pF	ER1. 5661-4d
10	145 pF	ERS. 5649-83a	31	1000 pF	ER1. 5661-23a
9	150 pF	ERS. 5649-35c	30	150 pF	ERS. 5649-77c
8	50 pF	ERS. 5649-50c	29	250 pF	ERS. 5649-43c
7	0.01 pF	ER1. 5661-2a	28	150 pF	ERS. 5649-35c
6	10-260	CR. 9812	27	0.7 pF	ER1. 5661-6a
5	3-21 pF	CR. 9373-1	26	0.01 pF	ER1. 5661-2a
4	3-21 pF	CR. 9373-1	25	80 pF	ERS. 5649-16c
3	200 pF	ERS. 5649-49g	24	0.05 pF	ER1. 5661-4a
2	200 pF	ERS. 5649-49c	23	80 pF	ERS. 5649-16c
1	120 pF	ERS. 5649-47a	22	280 pF	ERS. 5649-76a
Pos.	Capacità	N° Elemento	Pos.	Capacità	N° Elemento

13	50 kΩ ¼ W.	ER. 5398-11b	27	200 kΩ 1 W.	ER. 5326-45a
12	2 MΩ ½ W.	ER. 5398-7b	26	2 MΩ ¼ W.	ER. 5398-2b
11	50 kΩ ¼ W.	ER. 5398-11b	25	75 Ω 1 W.	ER. 5326-48b
10	250 kΩ ¼ W.	ER. 5398-10b	24	30 Ω 1 W.	ER. 5326-39b
9	1 MΩ (V <sub>max</sub> )	CR. 9463-2	23	1 MΩ ¼ W.	ER. 5398-13b
8	100 kΩ ¼ W.	ER. 5398-4b	22	100 Ω ½ W.	ER. 5325-29b
7	35 kΩ 1 W.	ER. 5326-68b	20	300 kΩ ¼ W.	ER. 5398-14b
6	200 kΩ ¼ W.	ER. 5398-3b	19	1 MΩ ¼ W.	ER. 5398-13b
5	17 kΩ 2 W.	ER. 6372-31b	18	400 kΩ ¼ W.	ER. 5398-4b
4	40 kΩ 1 W.	ER. 5326-2b	17	1 kΩ ¼ W.	ER. 5398-17b
3	100 Ω ¼ W.	ER. 5398-10b	16	1 MΩ (T <sub>max</sub> )	CR. 9463-1
2	50 kΩ ¼ W.	ER. 5398-11b	15	500 kΩ ¼ W.	ER. 5398-1b
1	500 kΩ ¼ W.	ER. 5398-1b	14	1 MΩ ¼ W.	ER. 5398-13b
Pos.	Resistenza	N° Elemento	Pos.	Resistenza	N° Elemento

5	Bobina gen. a.m.	CR. 9478-1	9	Trasform. d'Aliment.	CR. 1960-36
4	Bobina oscil. a.m.	CR. 9478-2	8	Allapp.-e. transf. usc.	CEA. 1031-6
3	Trasform. anten. a.m.	CR. 9476-2	7	2° Trasform. di M.F.	CR. 9337-2
2	Trasform. anten. a.c.	CR. 9476-1	6	1° Trasform. di M.F.	CR. 9337-1
1	Bobina di filtro	CR. 2506-4			

COMPAGNIA GENERALE DI ELETTRICITÀ - Mod. 175 - Quattro gamme d'onda di cui due principali (onde medie 1 e onde corte 1) e due spostate (onde medie 2 e onde corte 2). Media frequenza 468 kc/s. La 6TE8 amplifica a media frequenza e, con il triodo, a bassa frequenza. Potenza d'uscita 2,5 watt. Consumo 50 watt.