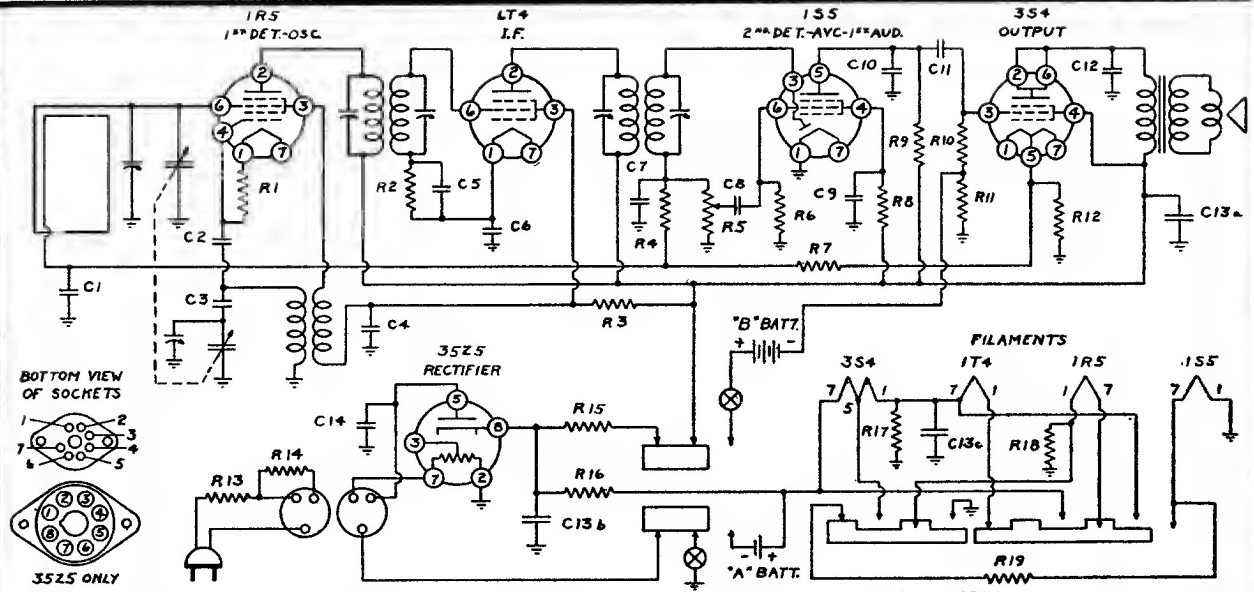


I.F. 455 KC.

In model M5-PH only, connect points w, x, and y together. R10 and C13 are not used. Also C12 is not used, and point C connects to D. Disconnect points A and B.

RESISTORS				CONDENSERS							
No.	Ohms	Watts	No.	Ohms	Watts	No.	Capacity (Mfd.)	Volts	No.	Capacity (Mfd.)	Volts
R1	10,000,000	1/4	R6	250,000	1/4	C1	.001	600	C8	.02	400
R2	25,000	1/4	R7	500,000	1/4	C2	.05	200	C9a	50.	Elect. 150
R3	2,000,000	1/4	R8	150-10%	1/4	C3	.00005	Mica	C9b	30.	Elect. 150
R4	500,000	V.C.	R9	1,000	1/4	C4	.00025	Mica	C10	.05	400
R5	5,000,000	1/4	R10	150,000	1/2	C5	.005	600	C11	.2	400
						C6	.0005	Mica	C12	.02	400
						C7	.01	400	C13	.16	200

Models M5-PH, XM5-PH, Continental Radio & Television Corp.



CONDENSERS				RESISTORS							
No.	Capacity (Mfd.)	Volts	No.	Capacity (Mfd.)	Volts	No.	Ohms	Watts	No.	Ohms	Watts
C1	.05	200	C9	.05	200	R1	100,000	1/4	R11	750-10%	1/4
C2	.0001	Mica	C10	.00005	Mica	R2	5,000,000	1/4	R12	3,000-10%	1/4
C3	.000485-2%	Mica	C11	.005	200	R3	5,000-10%	1/4	R13	80	part of
C4	.01	120	C12	.01	200	R4	2,000,000-10%	1/4	R14	350	line cord
C5	.01	120	C13a	20.	150	R5	1,000,000	V.C.	R15	2,000-10%	1/2
C6	.1	120	C13b	50.	150	R6	10,000,000	1/4	R16	1,750-10%	4
			C13c	100.	12	R7	3,000,000-10%	1/4	R17	1,700-10%	1/4
			C13c	100.	12	R8	4,000,000	1/4	R18	1,000-10%	1/4
			C13c	100.	12	R9	1,000,000	1/4	R19	55-10%	1/2
			C14	.05	400	R10	2,000,000	1/4			(wire wound)

G5

I.F. 455 KC.