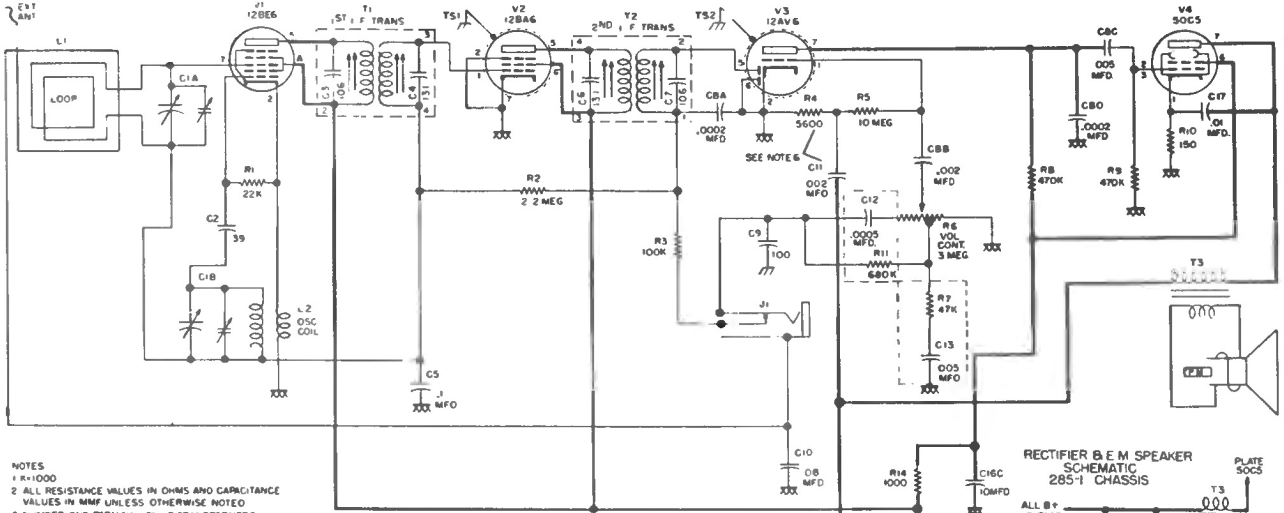




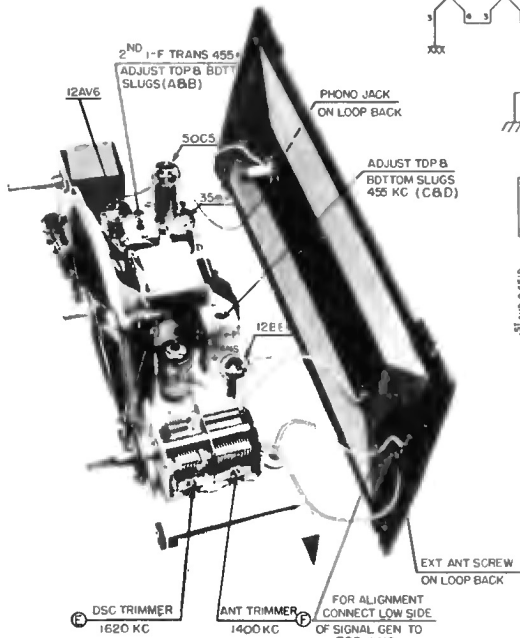
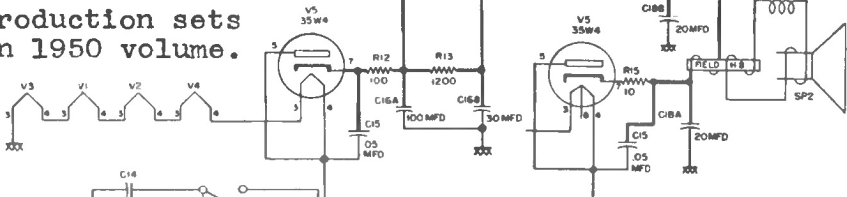
# CROSLLEY

MODELS 10-135, 10-136E, 10-137, 10-138, 10-139, 10-140  
(Chassis 285, 285-1)

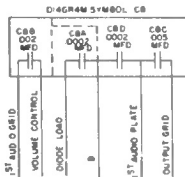


- NOTES  
 1 K=1000  
 2 ALL RESISTANCE VALUES IN OHMS AND CAPACITANCE VALUES IN MMF UNLESS OTHERWISE NOTED  
 3 NUMBER ONE TERMINAL ON I.F. TRANSFORMERS CODED WITH GREEN DOT NUMBERS PROGRESS CLOCKWISE  
 4 I.F.=455 KC  
 5 CHASSIS  
 6 COMMON WIRING  
 7 R4 AND C11 USED WITH PM SPEAKERS ONLY

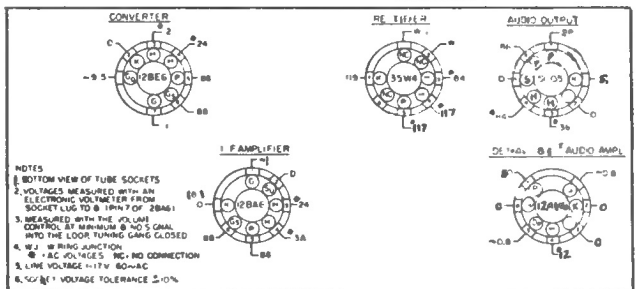
Earlier production sets covered in 1950 volume.



CHASSIS, TOP VIEW



## SOCKET VOLTAGE CHART



## ALIGNMENT CHART

Alignment Sequence	Signal Generator Output			Position of Dial Pointer	Adjust for Maximum Output
	Frequency in kc.	In Series with	To		
1	455	200 mmf.	External Ant. Screw	1620	* A, B, C & D
2	1620	200 mmf.	External Ant. Screw	1620	E
3	1400	200 mmf.	External Ant. Screw	1400	F

\* Repeat adjustments until maximum output is obtained.