

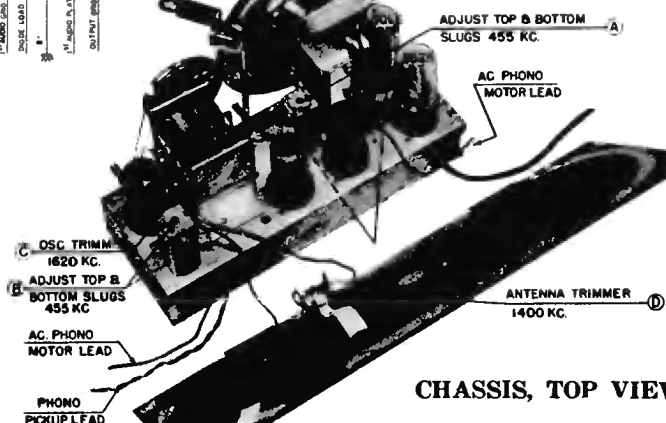
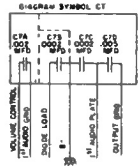
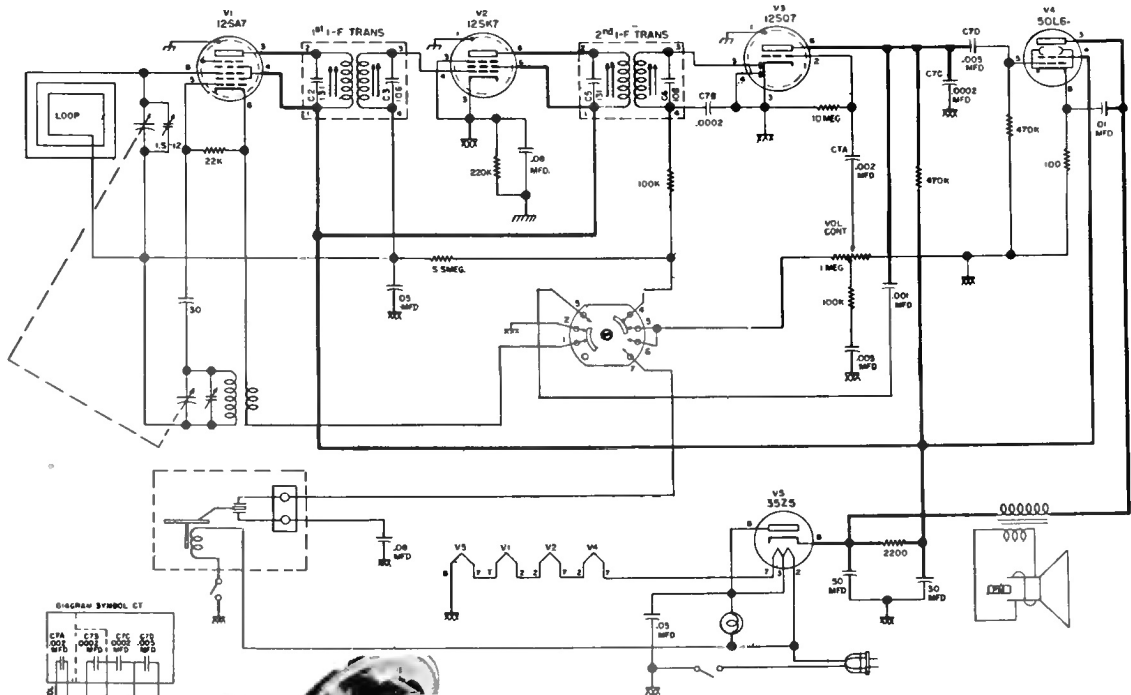
CROSLEY

MODEL 10-145M

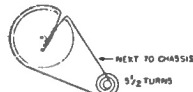
Alignment Sequence	Signal Generator Output			Position of		Adjust for Maximum Output
	Frequency in kc.	In Series with	To	Radio-Phono Switch	Tuning Dial	
1	455	200 mmf.	Ant.	Counter-clockwise	Open	A & B (See Note 1)
2	1620	200 mmf	Ant.	Counter-clockwise	Open	C (See Note 1)
3	1400	*Radiated to Loop			Tune in Signal	D (See Note 2)

*Place signal generator output lead near the loop antenna.

- Notes: 1. Disconnect loop antenna. Connect a 33,000 ohm resistor from pin 8 on 12SA7 tube socket to B-(pin 4 on 12SQ7 tube socket).
2. Remove 33,000 ohm resistor, connect loop antenna and place receiver chassis in cabinet.



- NOTES
 1 K=1000
 2 F=455 KC
 3 ALL CAPACITANCE VALUES IN MMF AND ALL RESISTANCE VALUES IN OHMS UNLESS OTHERWISE NOTED
 4 BAND CHANGE SWITCH SHOWN IN EXTREME COUNTER CLOCKWISE POSITION SWITCH SEQUENCE: RADIO NORMAL TONE, RADIO BASS PHONO BASS PHONO NORMAL TONE
 5 * DENOTES COMMON WIRING
 6 >> DENOTES CHASSIS
 TUNING CAPACITOR GANG IN THE CLOSED POSITION LENGTH OF GEAR CORD 15/2 FROM LOOP TO LOOP



CHASSIS, TOP VIEW—MODEL 10-145M