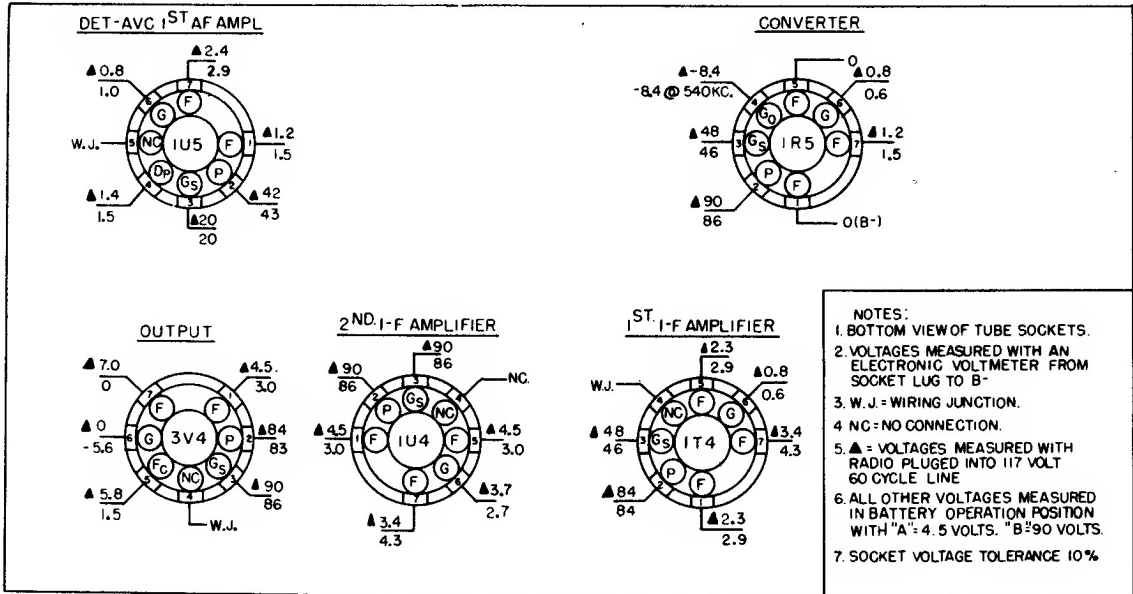


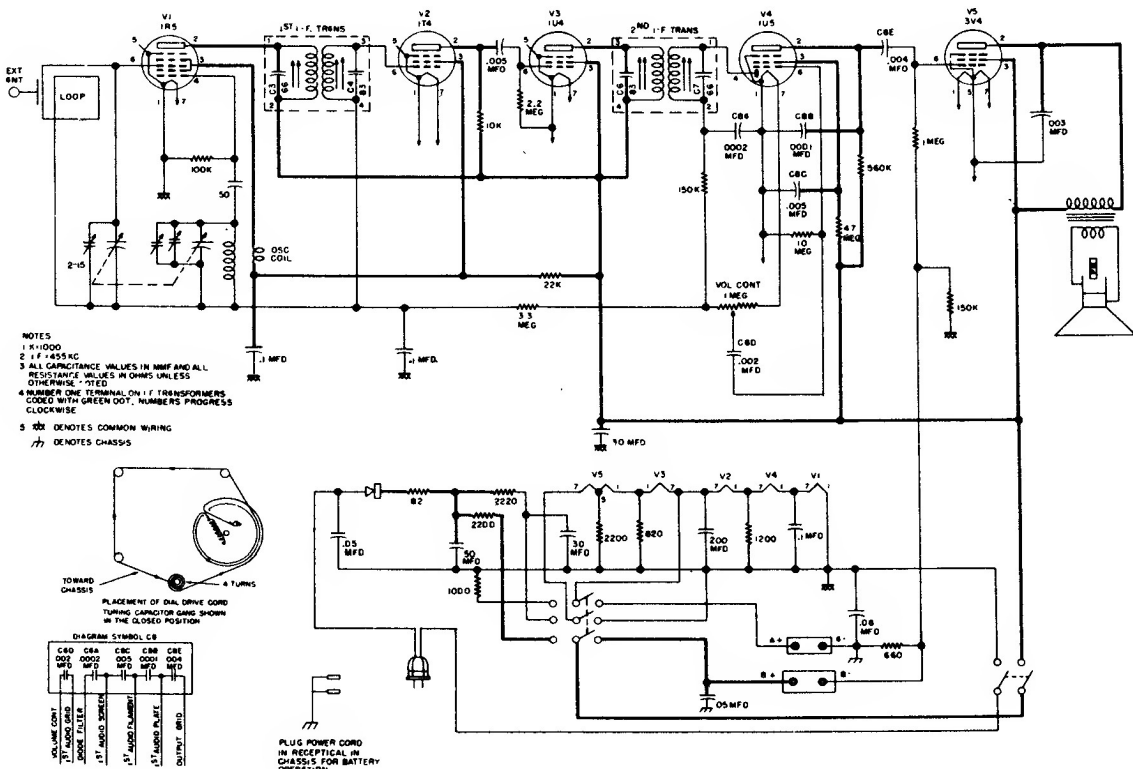
CROSLEY

MODELS: 10-310, 10-311, 10-313

FREQUENCY RANGE: 540 to 1600 kilocycles.
INTERMEDIATE FREQUENCY: 455 kc.
POWER SUPPLY: a.c.—d.c. or Battery.
VOLTAGE RATING: a.c.—d.c., 110 to 120 volts.
 "A" Battery, 4½ volts; "B" Battery, 90 volts.
POWER OUTPUT: 200 M.W. maximum.
POWER CONSUMPTION: 15 watts at 125 volts, 60 cycle.



- NOTES:
1. BOTTOM VIEW OF TUBE SOCKETS.
 2. VOLTAGES MEASURED WITH AN ELECTRONIC VOLTMETER FROM SOCKET LUG TO B⁻.
 3. W. J. = WIRING JUNCTION.
 4. NC = NO CONNECTION.
 5. ▲ = VOLTAGES MEASURED WITH RADIO PLUGGED INTO 117 VOLT 60 CYCLE LINE.
 6. ALL OTHER VOLTAGES MEASURED IN BATTERY OPERATION POSITION WITH "A" = 4.5 VOLTS. "B" = 90 VOLTS.
 7. SOCKET VOLTAGE TOLERANCE 10%



- NOTES:
1. K = 1000
 2. I-F = I-F
 3. ALL CAPACITANCE VALUES IN MMF AND ALL RESISTANCE VALUES IN OHMS UNLESS OTHERWISE NOTED.
 4. NUMBER ONE TERMINAL ON I-F TRANSFORMERS CODED WITH GREEN DOT, NUMBERS PROGRESS CLOCKWISE.
 5. Ⓜ DENOTES COMMON WIRING.
 6. Ⓜ DENOTES CHASSIS.

