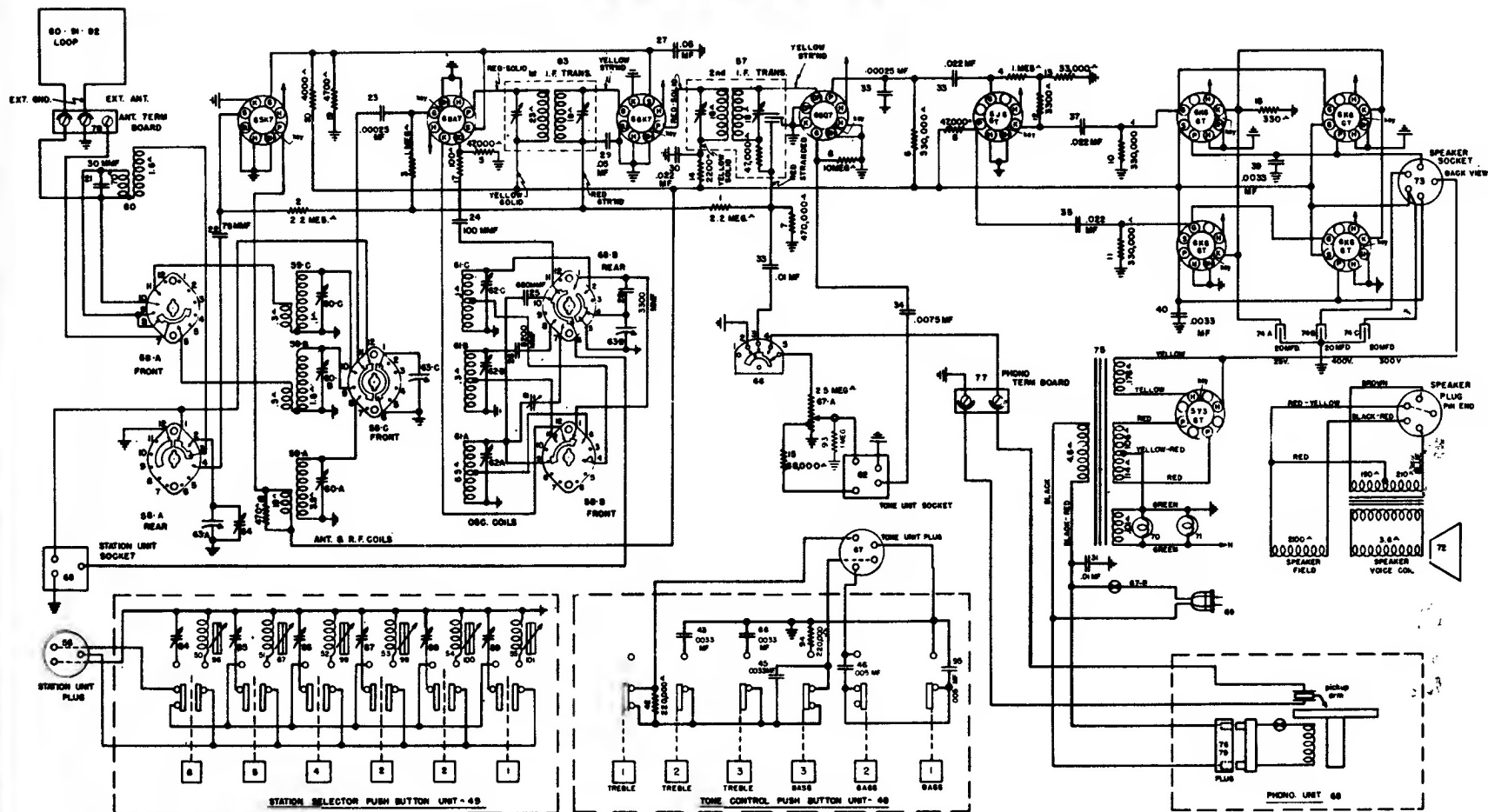


CROSLLEY



SCHMATIC DIAGRAM — MODEL 106CP

ALIGNMENT PROCEDURE

MODEL 106CP

Turn the tuning capacitor to the completely closed position against the stop, and set the dial pointer to the reference line at the end of the dial scale.

Set the tone control buttons all the way out.

If the chassis is removed from the cabinet, connect the shorting bar from the volume control (67A) to the coupling capacitor (34) on the tone unit socket.

Connect the output meter across the speaker output transformer connections on the 6K6 tubes.

The r. f. signal input from the signal generator should be connected as indicated in the alignment chart. Connect the low side (ground) of the signal generator to the chassis.

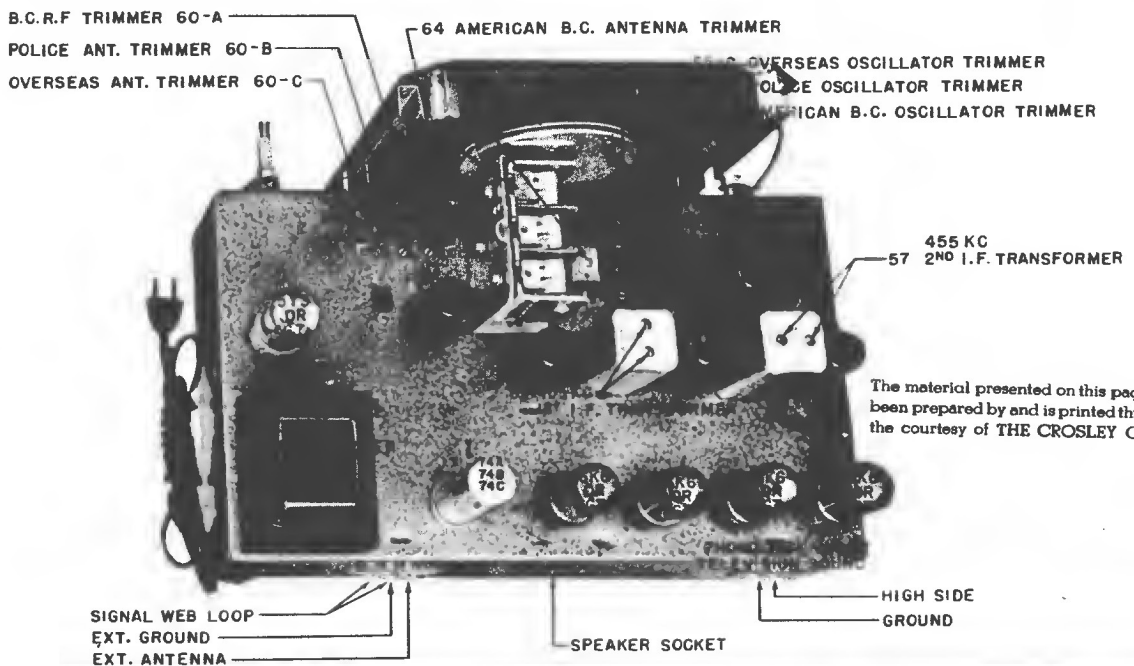
Turn the volume control on full and adjust the signal generator output to produce a noticeable output meter reading.

Alignment adjustment locations are shown in Chassis Top View, at bottom of page.

Alignment Sequence	Signal Generator Output			Position of		Adjust for Maximum Output
	Frequency in kc.	In Series With	To	Band Switch	Tuning Dial	
1	455	200 mmf.	Rear Gang Section	American BC	Fully Open	57 & 83
2	1400	200 mmf.	Ext. Ant.	American BC	1400	62-A
3	1400	200 mmf.	Ext. Ant.	American BC	1400	60--A&6A
4	600	200 mmf.	Ext. Ant.	American BC	600	81
5	6500	400 ohms	Ext. Ant.	Police	Fully Open	62-B
6	6000	400 ohms	Ext. Ant.	Police	6000	60-B
*7	18,300	400 ohms	Ext. Ant.	Overseas	Fully Open	62 C
8	18,000	400 ohms	Ext. Ant.	Overseas	18,000	60-C

The American Broadcast Band must be aligned with the loop antenna connected.

*NOTE: When aligning the short-wave oscillator trimmer (62C), be sure that the circuit is aligned at the correct frequency and not at the image frequency which is 910 kilocycles lower as indicated by the receiving dial. To check: tune in the generator frequency, then increase the generator output and tune in the image frequency. The image frequency should be weaker than the fundamental and audible 910 kilocycles lower on the receiver dial. If the image cannot be tuned in, the oscillator trimmer is adjusted to the wrong peak; i. e., the oscillator trimmer may be adjusted to the image or one of the harmonics instead of the fundamental frequency. The correct peak is the second one heard as the trimmer adjustment screw is opened from the completely closed position.



The material presented on this page has been prepared by and is printed through the courtesy of THE CROSLY CORP.