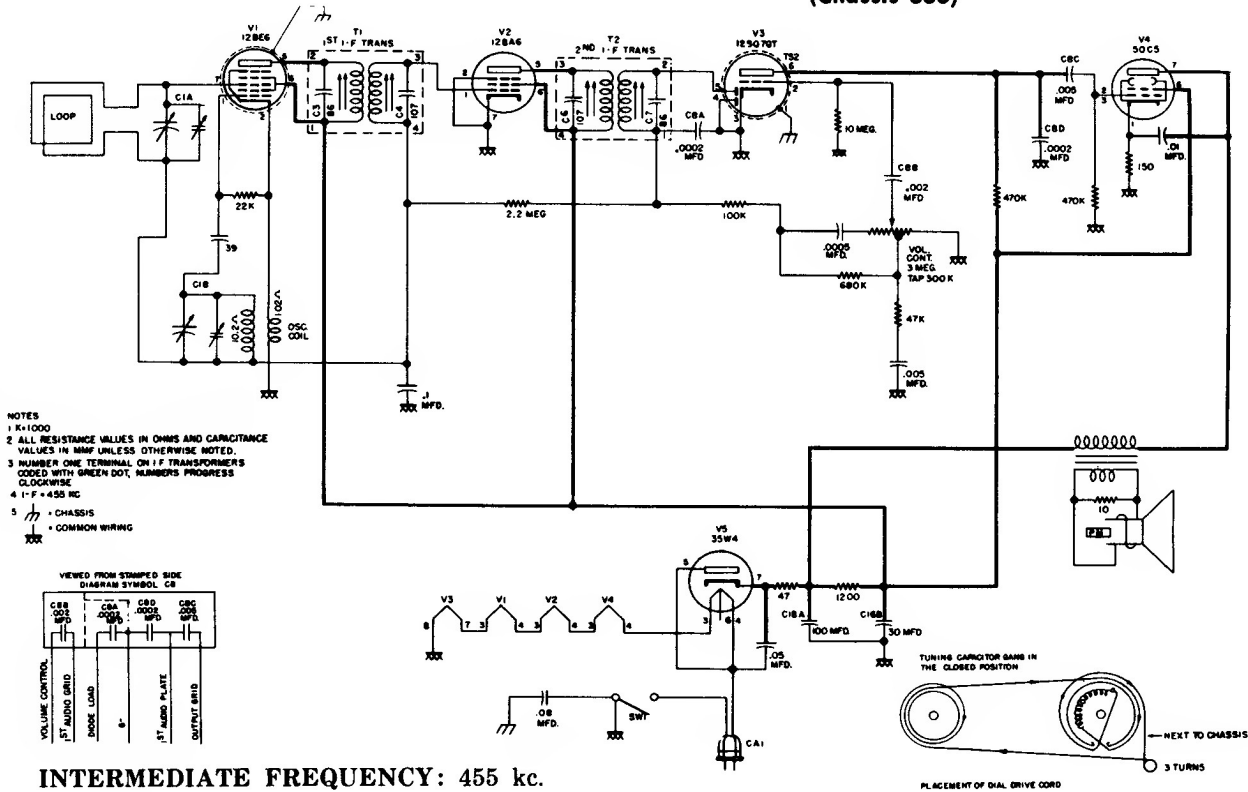


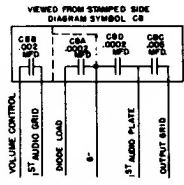
CROSLEY

REVISED MODELS: 11-100U, 11-101U, 11-102U, 11-103U
11-104U, 11-105U

(Chassis 330)



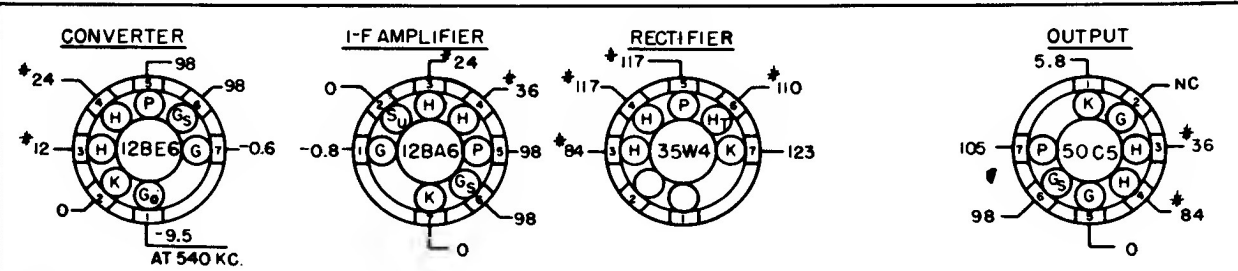
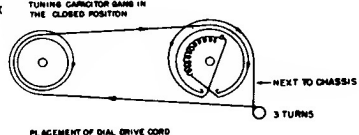
- NOTES
- 1 K=1000
 - 2 ALL RESISTANCE VALUES IN OHMS AND CAPACITANCE VALUES IN MMF UNLESS OTHERWISE NOTED.
 - 3 NUMBER ONE TERMINAL ON I-F TRANSFORMERS CODED WITH GREEN DOT, NUMBERS PROGRESS CLOCKWISE.
 - 4 I-F = 455 KC
 - 5 --- CHASSIS
 - 6 --- COMMON WIRING



INTERMEDIATE FREQUENCY: 455 kc.

Models DLOBE, DLOCE, DLOGN, DIORD, DIOTN, and DLOWE, using Chassis 10D, are very similar in circuit to the description on this page. Some of these models used Chassis 10D-1 also where an electromagnetic speaker is employed -- see insert schematic at bottom of page.

The above listed models also used Chassis 301 which is similar to Chassis 330, but uses 12AV6 instead of 12SQ7 as V3. In some sets R2 is a 3.3 megohms and C5 is .05 mfd.



- NOTES
- 1. BOTTOM VIEW OF TUBE SOCKETS.
 - 2. MEASURE VOLTAGE WITH AN ELECTRONIC VOLTMETER FROM SOCKET LUG TO B-PIN 2 ON THE 12BA6.
 - 3. LINE VOLTAGE 117 V. 60 ω
 - 4. NC = NO CONNECTION.
 - 5. * = AC VOLTAGE
 - 6. SOCKET VOLTAGE TOLERANCE $\pm 10\%$.

