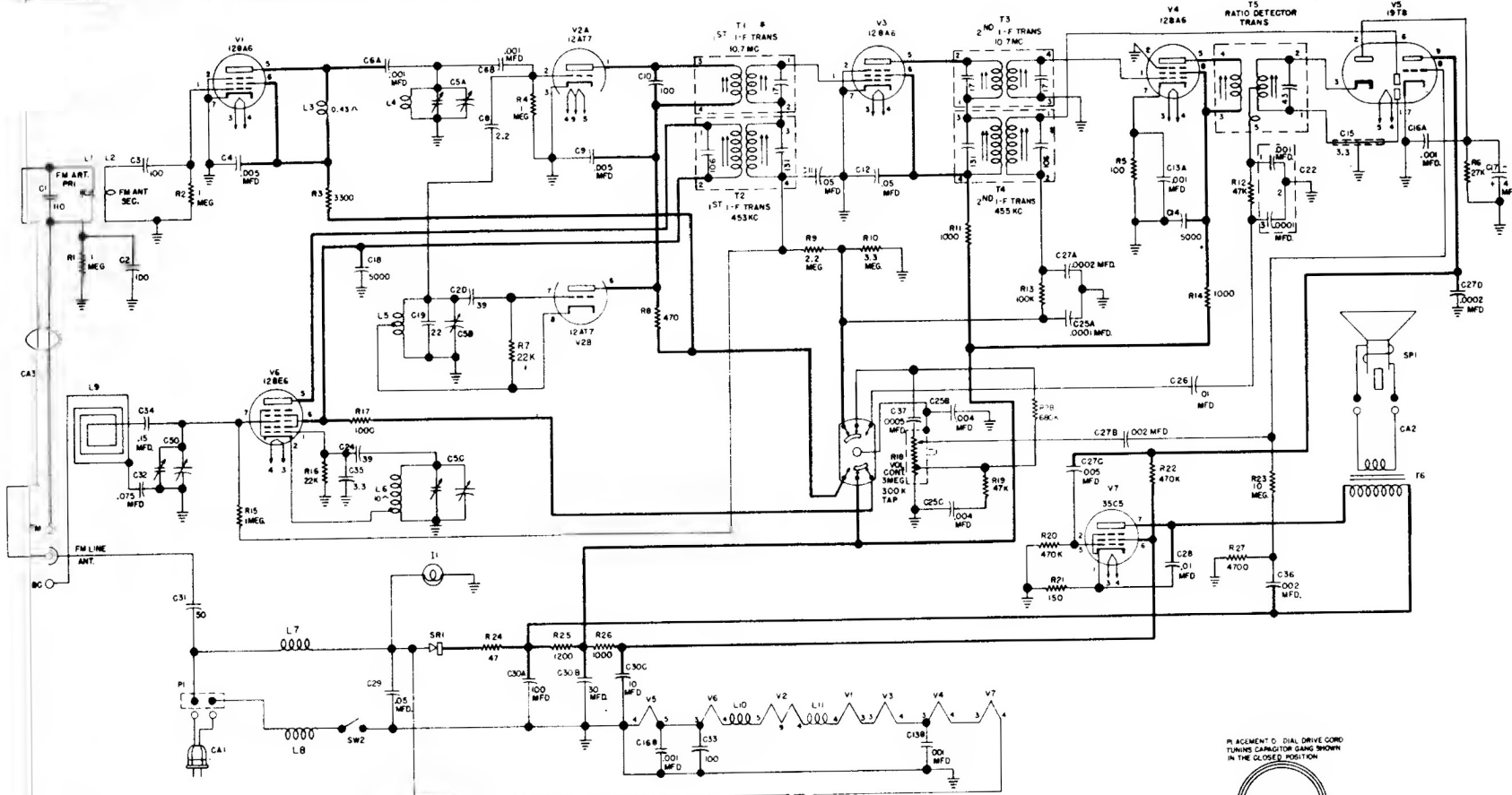


CROSLLEY

MODELS: 11-126U, 11-127U, 11-128U, 11-129U
(Chassis 312)



TYPE: Seven-tube, two-band, superheterodyne.

FREQUENCY RANGE: Standard Broadcast Band; 540 to 1620 kc.

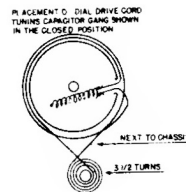
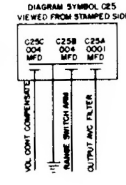
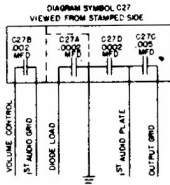
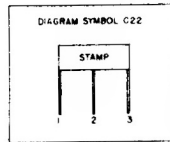
Frequency Modulation Band; 88 to 108 megacycles.

INTERMEDIATE FREQUENCY: Standard Broadcast Band; 455 kc.

Frequency Modulation Band; 10.7 mc.

FM ANTENNA INPUT IMPEDANCE: 75 ohms balanced.

POWER SUPPLY: a.c.—d.c.



NOTES.

- 1 K=1000
- 1-F=455 KC AM
IF=10.7 MC FM
- ALL CAPACITANCE VALUES IN MMF
AND ALL RESISTANCE VALUES IN OHMS
UNLESS OTHERWISE SPECIFIED
- BAND CHANGE SWITCH SHOWN IN AM
(COUNTER CLOCKWISE) POSITION
- NUMBER 1 TERMINAL ON 1-F TRANSFORMERS
CODED BY GREEN DOT NUMBERS PROGRESS CLOCKWISE,
EXCEPT AS NOTED

