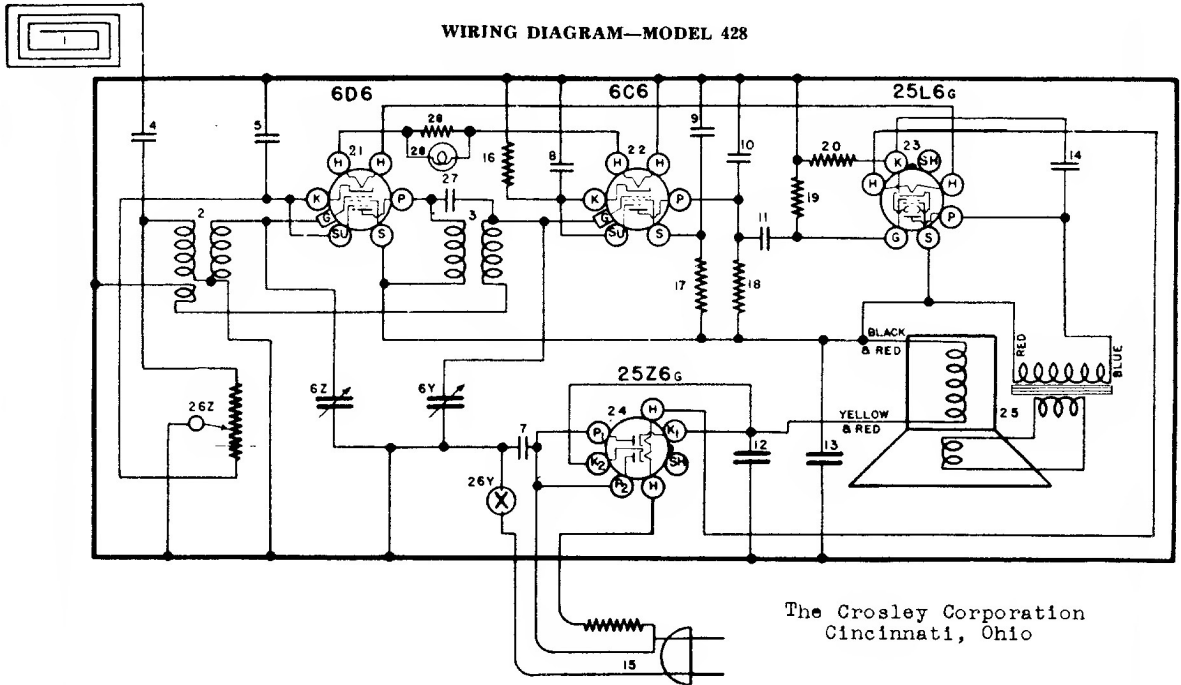


WIRING DIAGRAM—MODEL 428



Figures in first column refer to parts in Diagrams.

Item No.	Part No.	Description	Item No.	Part No.	Description
1	W —45577	Antenna Roll	27	G3 —50640	Condenser Assembly
2	G180—32000	Antenna Coil	28	W —44337	Dial Light, 6-8 Volt
3	G104—32001	R. F. Coil		W —40570	Dial Light Shield
4	W —45780B	Condenser, .02 Mf. 160 V.		G6 —27134	Dial Light Socket
5	W —45780B	Condenser, .02 Mf. 160 V.	29	W —44396	Resistor, 40 Ohms 3½W. Flex.
6Z	G53 —33001	2 Section Gang Condenser			
6Y					
7	W —45782B	Condenser, .05 Mf. 400 V.			
8	W —45781B	Condenser, .25 Mf. 160 V.			
9	W —45780B	Condenser, .02 Mf. 160 V.			
10	G2 —34002	Condenser, .0001 Molded			
11	W —45780B	Condenser, .02 Mf. 160 V.			
12	W —45783	Condenser, 16 Mf. 150 V. Elect.			
13	W —45783	Condenser, 16 Mf. 150 V. Elect.			
14	W —45817A	Condenser, .05 Mf. 160 V.			
15	B —46114	Power Cord (165 Ohm 15W Lead)			
	W —45902	Cord Clamp			
16	—24990	Resistor, 25,000 Ohms ¼W.			
17	—37583	Resistor, 2.5 Meg Ohms ¼W.			
18	—23785	Resistor, 500,000 Ohms ¼W.			
19	—23785	Resistor, 500,000 Ohms ¼W.			
20	W —45965	Resistor, 110 Ohms ½W. Flex.			
21	G21 —28807	6 Prong Socket			
22	G21 —28807	6 Prong Socket			
23	G178—36400	8 Prong Socket			
24	G178—36400	8 Prong Socket			
	W —34175	Tube Shield Half (Slotted)			
	W —34174	Tube Shield Half (Plain)			
	W —31210	Tube Shield Ring			
25	281-BL-5-U	Speaker Spec. 5-B-130			
	W —45900A	Speaker Mtg. Bracket			
26Z	—45786	Volume Control, 40,000 Ohms			
26Y	—45786	On-Off Switch			

TUBE SOCKET VOLTAGE READINGS

Tube	H	P	S	K	Su
6D6	6.3*	97	98	2.5-25	as
6C6	6.3*	20	10	7	
25L6	25*	85	98	6	
25Z6	25*	117*		126	

Readings taken with a 1000 ohm per volt meter. Volume full on. Readings between terminals indicated and chassis. Values marked with a * are A.C.