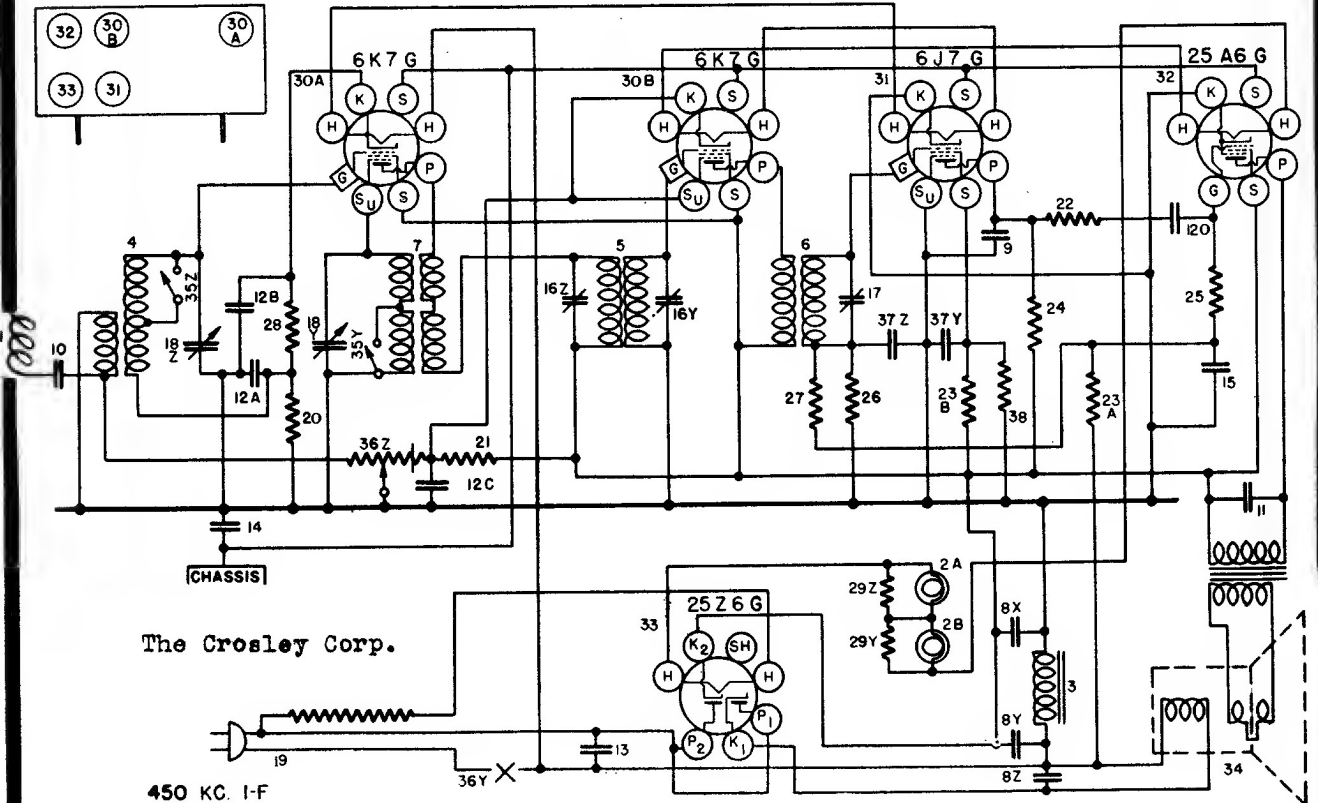


MODEL 536 AND 5536

Figures in first column refer to parts in Diagrams.

Item No.	Part No.	Description	Item No.	Part No.	Description
1	W — 29784B	Antenna—Flexible		W — 41162	Drive Chain—5536 only
2A	W — 4099B	Dial Light		W — 41160	Bearing Bracket—5536 only
2B	W — 4099B	Dial Light		W — 41159A	Shaft—5536 only
	G6 — 27134	Dial Light Socket Assembly		W — 40909	Spring Washer—5536 only
3	G4 — 28859	Filter Choke		W — 31840A	Snap Ring—5536 only
4	G106 — 32000	Ant. Coil	19	B — 40999	Power Cord & Plug
5	G104 — 32004	1st I-F Coil	20		Resistor, 2700 Ohm 1/4W.
6	G103 — 32004	2nd I-F Coil	21		Resistor, 10,000 Ohm 1W.
7	G94 — 32002	Osc. Coil	22		Resistor, 60,000 Ohm 1/4W.
87			23A		Resistor, 100,000 Ohm 1/4W.
8Y	W — 29804A	Condenser, 8 Mfd. 125 V.	23B		Resistor, 100,000 Ohm 1/4W.
8X			24		Resistor, 300,000 Ohm 1/4W.
9	G1 — 34002	Condenser, 0.0025 Mfd. (Molded)	25		Resistor, 500,000 Ohm 1/4W.
10	W — 28620	Condenser, 0.03 Mfd. 200 V.	26		Resistor, 2 Megohm 1/4W.
11	W — 23191A	Condenser, 0.1 Mfd. 400 V.	27		Resistor, 10 Megohm 1/4W.
12A	W — 36541	Condenser, 0.2 Mfd. 160 V.	28	W — 28599	Resistor, 350 Ohm 1/2W. Flex.
12B	W — 36541	Condenser, 0.2 Mfd. 160 V.	29	W — 41000	Candohm—2 Sections
12C	W — 36541	Condenser, 0.2 Mfd. 160 V.	30A	G151 — 3F400	Socket Type 6K7
12D	W — 36541	Condenser, 0.2 Mfd. 160 V.	30B	G151 — 3F400	Socket Type 6K7
13	W — 32780B	Condenser, 0.5 Mfd. 400 V.	31	G157 — 3F400	Socket Type 6J7
14	W — 24049C	Condenser, 1 Mfd. 160 V.	32	G161 — 36400	Socket Type 25A6
16	W — 37075	Condenser, 2 Section Trimmer	33	G162 — 36400	Socket Type 25Z6
17	W — 40998	Condenser, 1 Section Trimmer		W — 40911	Tube Shield
18	G22 — 33001	2 Section Var. Tuning Condenser		W — 27981A	Tube Shield Base
C	— 40926	Dial Glass—536 only	34	B — 41012	Speaker 237BL9
W	— 40632B	Pointer Disc—536 only		W — 40593	Speaker Mtg. Bracket
W	— 41014A	Dial Glass Bracket R-H—536 only		— 6415	Mtg. Bracket Screw
W	— 41013A	Dial Glass Bracket L-H—536 only	35	— 41004	Band Selector Switch
W	— 41227	Drive Chain—536 only	36Z		Volume Control 4800 Ohm Tap 160 Ohm
W	— 40633B	Bearing Support—536 only	36Y		Line Switch
W	— 41112A	Driven Sprocket—536 only		B — 40590	Escutcheon
W	— 41113A	Driver Sprocket		D — 28	Escutcheon Mtg. Screws (4) 536 only
W	— 40486	Pointer Disc Mtg. Screw		W — 41019	Knob
C	— 40927	Dial Glass—5536 only		W — 40839	Escutcheon
B	— 40818B	Pointer Disc—5536 only		W — 40840	Escutcheon Plate
W	— 41158	Support Bracket L-H—5536 only		W — 29760A	Escutcheon Pin 5536 only
W	— 41143	Support Bracket R-H—5536 only		W — 41019	Knob (2)
W	— 40797	Dial Glass Bracket—5536 only		W — 41021	Knob (1)



The Crosley Corp.

450 KC. I-F