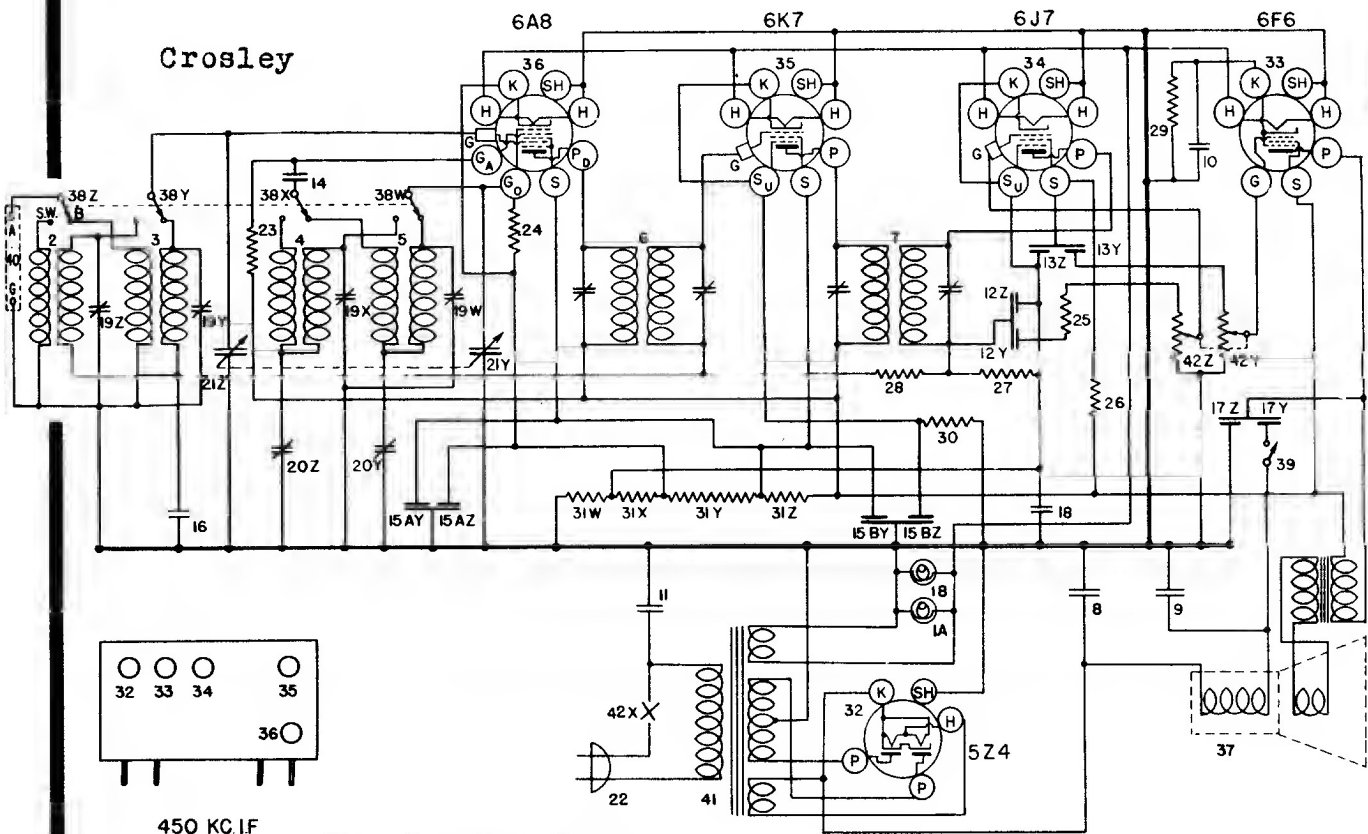


Crosley



The Crosley Corp.

WIRING DIAGRAMS—MODELS 555 AND 5555

Item No.	Part No.	Description	Item No.	Part No.	Description		
1A	G6 —27134	Dial Light Assm.	22	B —33906A	A. C. Cord & Plug		
1B	G6 —27134	Dial Light Assm.	23	—5370A	Resistor, 20,000 Ohm		
2	G82 —32000	Ant. Coil, S. W. B.	24	—21237	Resistor, 60,000 Ohm		
3	G81 —32000	Ant. Coil, B. C. B.	25	—21875	Resistor, 100,000 Ohm		
4	G65 —32002	Osc. Coil, S. W. B.	26	—21455	Resistor, 300,000 Ohm		
5	G66 —32002	Osc. Coil, B. C. B.	27	—33344	Resistor, 400,000 Ohm		
6	G71 —32004	1st I. F. Assm.	28	—37245	Resistor, 1.5 Megohm		
7	G72 —32004	2nd I. F. Assm.	29	W —25291	Resistor, 500 Ohm 1/2 W. (Flex)		
8	W —36055	Condenser, 35. Mfd. 400 Volt	30	W —28106	Resistor, 500 Ohm 1/2 W. (Flex)		
9	W —36057	Condenser, 40. Mfd. 300 V.	31Z	W —37246A	Resistor, 10,000 Ohm Candohm		
10	W —36931	Condenser, 12 Mfd. 25 V.	31Y		Resistor, 25,000 Ohm Candohm		
11	W —30805	Condenser, 0.01 Mfd. 400 V.	31X		Resistor, 185. Ohm Candohm		
12Z	W —30322A	Condenser, 0.00017 Mfd. 200 V.	31W	Resistor, 185. Ohm Candohm			
12Y		Condenser, 0.006 Mfd. 200 V.	32	G154—36400	Socket, 5Z4		
13Z		Condenser, 0.001 Mfd. 400 V.	33	G153—36400	Socket, 6F6		
13Y	W —25537A	Condenser, 0.03 Mfd. 400 V.	34	G157—36400	Socket, 6J7		
14	W —23191A	Condenser, 0.01 Mfd. 400 V.	35	G151—36400	Socket, 6K7		
15AZ	W —28623	Condenser, 0.02 Mfd. 200 V.	36	G156—36400	Socket, 6A8		
15AY		Condenser, 0.02 Mfd. 200 V.	37	331—CL—9	Speaker, (555)		
15BZ	W —28623	Condenser, 0.02 Mfd. 200 V.	432—CJ—3M	G3 —35696	Speaker, (5555) Console		
15BY		Condenser, 0.02 Mfd. 200 V.				Speaker Cable (5555)	
16	W —27216	Condenser, 0.05 Mfd. 200 V.	38W	—37247	Ban ^d Change Switch		
17Z	W —35011	Condenser, 0.006 Mfd. 400 V.	To				
17Y	W —35011	Condenser, 0.03 Mfd. 400 V.	38Z	W —36184A	Tone Control Switch		
18	W —36541	Condenser, 0.02 Mfd. 160 V.	39				
19Z	W —37241A	4 Section Trimmer Cond.	40	G1 —26719	Ant. & Grd. Terminal		
19Y			41	G12 —28500	Power Trans. 60 Cy. 110 V.		
19W				G13 —28500	Power Trans. 25 Cy. 110 V.		
20Z				G14 —28500	Power Trans. 25 Cy. 220 V.		
20Y	G29 —33006	S. W. Osc. Series Padder	42Z	—37395	Volume Control A. F. Grid		
21Z	G17 —33001	B. C. Osc. Series Padder	42Y			—37395	Volume Control Output Grid
21Y		Var. Tuning Cond. Gang	42X				
		—37353C	Dial Assm. Complete				
		—37158	Dial Glass				
		—37156	Dial Pointer				
	—37157	Pointer Screw					