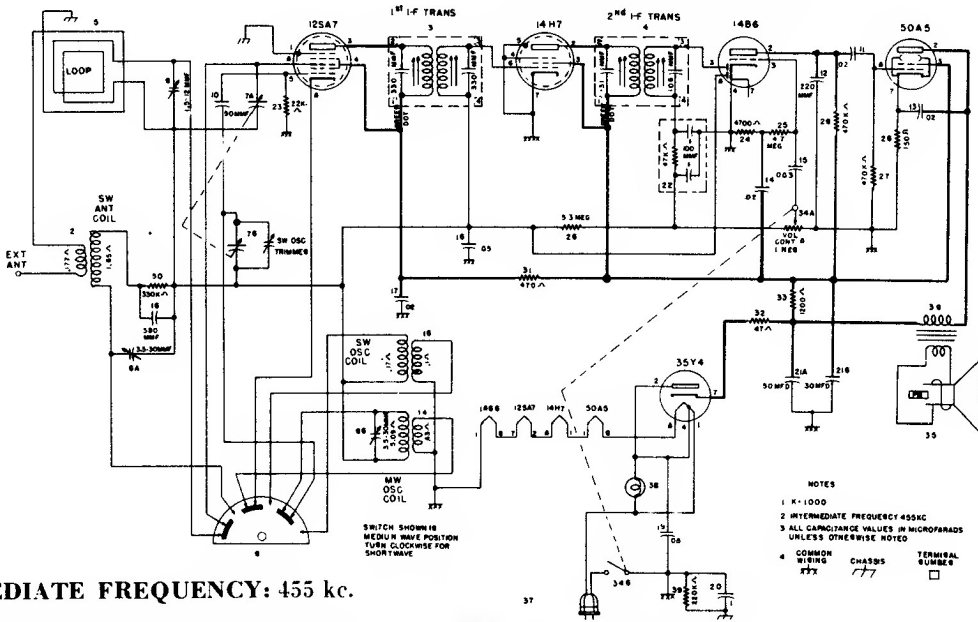
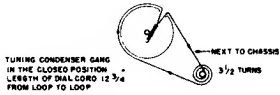
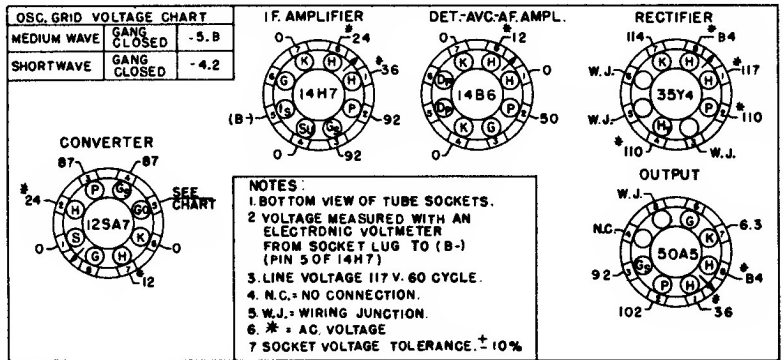


CROSLLEY

MODELS 58XTA, 58XTW

SOCKET VOLTAGE CHART



INTERMEDIATE FREQUENCY: 455 kc.

Item No.	Part No.	Description	Item No.	Part No.	Description
1A	AW-146155	Coil, Osc. M.W. } Two	26	39373-87	Resistor, 470,000 ohms 1/2 w.
1B		Coil, Osc. S.W. } Section	27	39373-87	Resistor, 470,000 ohms 1/2 w.
2	AW-146139	Coil, Ant. S.W.	28	39373-16	Resistor, 150 ohms 1/2 w.
3	C-139919-4	1st I.F. Trans.	29	39373-100	Resistor, 3.3 megohm 1/2 w.
4	C-139919-3	2nd I.F. Trans.	30	39373-84	Resistor, 330,000 ohms 1/2 w.
5	AC-135817	Loop & Back Assy.	31	39373-26	Resistor, 470 ohm, 1/2 w.
6	C-137219-2	Condenser, Trimmer, 1.5-12 mmf. (Part of 5)	32	39373-119	Resistor, 47 ohm 1 w.
7A	AW-144666	Condenser, Tuning } Two Section	33	39373-34	Resistor, 1,200 ohm 1/2 w.
7B		Condenser, Tuning } Variable	34A	39368-14	Control, Volume, 1.0 megohm
8A	AB-144617	Condenser, Trimmer, 3.5-30 mmf. } Two	34B	39369-1	Switch, Power (Part of 34A)
8B		Condenser, Trimmer, 3.5-30 mmf. } sect.	35	C-146133	Speaker
9	W-135808	Switch, Band Change	36	Part of Item 35	Transformer, Output
10	B-137498-11	Condenser, 50 mmf. 500 v. mica	37	C-132300-1	Cable & Plug, Power
11	39477-43	Condenser, .022 mfd., 600 v., paper	38	W-48858	Bulb (Dial), Type 47, 6.3 v., 15 amp.
12	B-137498-22	Condenser, 220 mmf., 500 v., mica	39	39373-80	Resistor, 220,000 ohm, 1/2 w.
13	39477-43	Condenser, .022 mfd., 600 v., paper		39232-1	Socket, tube
14	39477-43	Condenser, .022 mfd., 600 v., paper		C-136721	Background, Dial
15	39477-38	Condenser, .0033 mfd., 600 v., paper		D-132136-1	Cabinet (58XTA)
16	B-137498-14	Condenser, 580 mmf., 300 v., mica		AW-134738	Cabinet (58XTW)
17	39477-43	Condenser, .022 mfd., 600 v., paper		W-134667	Clip, Dial Pointer
18	39477-45	Condenser, .047 mfd., 600 v., paper		C-136962	Dial Face
19	39477-45	Condenser, .047 mfd., 600 v., paper		W-134882	Knob (58XTA)
20	39477-47	Condenser, .1 mfd., 600 v., paper		W-134883	Knob (58XTW)
21A	B-137649	Condenser, 30 mfd. 150 v. } Two sect.		B-134610	Lens, Dial
21B		Condenser, 50 mfd. 150 v. } Elect.		B-134570	Pointer, Dial
22	B-142951-2	Condenser, Resistor		W-51071	Ring, Retaining (Dial Drive Shaft)
23	39373-60	Resistor, 22,000 ohms 1/2 w.		39220-32 CP	Screw, Chassis Mounting # 8-32 x 3/4"
24	39373-47	Resistor, 4,700 ohms 1/2 w.		W-134917	Shaft, Dial Drive
25	39373-102	Resistor, 4.7 megohms 1/2 w.		D-136565-4	Socket Assy., Dial Light
				W-51752	Spring, Dial Drive Cord
				W-132124 SB	Stud, Trimount