

WIRING DIAGRAM—MODELS A-168 and A-268

The Crosley Corporation
Cincinnati, Ohio

PARTS LIST—MODELS A-168 and A-268

Figures in first column refer to parts in Diagrams.

Item No.	Part No.	Description	Item No.	Part No.	Description
1	W —43567	Dial Light Bulb, 6-8 V.	44	G105—28807	Socket Vibrator
2	G175—32000	Antenna Coil	W —50174	W —50174	Tube Shield Base
3	G176—32002	Oscillator Coil	W —50176	W —50176	Tube Shield Half
4	G191—32004	1st I-F. Trans., 455 Kc.	W —31210	W —31210	Tube Shield Ring
5	G196—32004	2nd I-F. Trans., 455 Kc.	45	278BL7"U"	Speaker—Mfg. Spec. No. 5-B-122
6	G19 —32977	Motor Noise Choke		—45889	Output Transformer
7	G29 —28067	"A" Filter Choke		278BL7"B"	Speaker—Mfg. Spec. No. 55-W-1
8	—38998B	Ant. Comp. Cond.		—45721	Output Transformer
	—50049	Nut—Comp. Cond. Mtg.	46	B —50644A	Power Transformer
9	W —35936	Condenser, .05 Mf. 200 V.	W —50680	W —50680	Shield—P. T.
10	W —32380	Condenser, .05 Mf. 200 V.	47Z		Volume Control (1 Meg.)
11	G50 —33001	2 Section Gang Condenser	47Y		On-Off Switch
	C —50688	Dial (Glass) A-168 only	48	G10 —38000	Vibrator Interchangeable
	W —50517B	Dial Mask (Maroon) A-168 only		G13 —38000	Vibrator
	W —50518A	Pointer—A-168 only			
	W —50758	Dial (Glass) A-268 only			
	W —50757	Dial Mask (Blue) A-268 only			
	W —50759	Pointer—A-268 only			
	W —50560	R. H. (Dial Mtg.) Clip			
	W —50545	L. H. (Dial Mtg.) Clip			
	B —78	Screws—Clip Mtg.			
	W —2045	Washers—Clip Mtg.			
	W —50524D	Drive Shaft—Manual			
	W —50325A	Washer—Shaft Retaining			
	MG28—50675	Shaft Brkt. Assm. (Rear Bearing)			
	G8 —43564	Pulley and Hub. Assm.			
	W —50590	Spring (Tension—22" Cord)			
	G6 —41582	Drive Cord—22-Inch			
	W —43561	Spring (Tension—18" Cord)			
	G5 —41582	Drive Cord—18-Inch			
	MG23—50675	Dial Brkt. Assm. Riveted to Chassis			
12	G3 —50369	Temp. Comp. Cond. (Bi-metal)			
13	G1 —34002	Condenser, .00025 Mf. Molded			
14	G3 —34002	Condenser, .0005 Mf. Molded			
15	W —50105	Condenser, .1 Mf. 160 V.			
16	W —32380	Condenser, .05 Mf. 200 V.			
17	W —50682A	Condenser, .5 Mf. 120 V.			
18	W —50203	Condenser, .0065 Mf. 1,000 V.			
19	G3 —34002	Condenser, .0005 Mf. Molded			
20	W —45810B	Condenser, .006 Mf. 160 V.			
21Z	W —50674	Condenser, 10. Mf. 350 V.			
21Y	W —50674	Condenser, 5 Mf. 350 V.			
22	G1 —34002	Condenser, .00025 Mf. Molded			
23	W —37226	Condenser, .02 Mf. 160 V.			
24	W —35758	Condenser, .008 Mf. 400 V.			
25	—35600	Resistor, 100,000 Ohms ¼W. Ins.			
26	—50699	Resistor, 200 Ohms ½W. W. W.			
27	—36322	Resistor, 500,000 Ohms ¼W. Ins.			
28	—38915	Resistor, 100 Ohms ½ W. W. W.			
29	—38915	Resistor, 100 Ohms ½ W. W. W.			
30	—23616	Resistor, 15,000 Ohms 1 W. Carbon			
31	—35602	Resistor, 1 Meg. ¼W. Ins.			
32	—50671	Resistor, 15 Meg. ¼W. Ins.			
33	—45388	Resistor, 1,400 Ohms 1½W. W. W.			
34	—35601	Resistor, 300,000 Ohms ¼W. Ins.			
35	—38623	Resistor, 750,000 Ohms ¼W. Ins.			
36	—40643	Resistor, 25,000 Ohms ¼W. Ins.			
37Z	G29 —32750	"A" Lead, Set to Fuse			
37Y	G27 —32750	"A" Lead, Fuse to Ammeter			

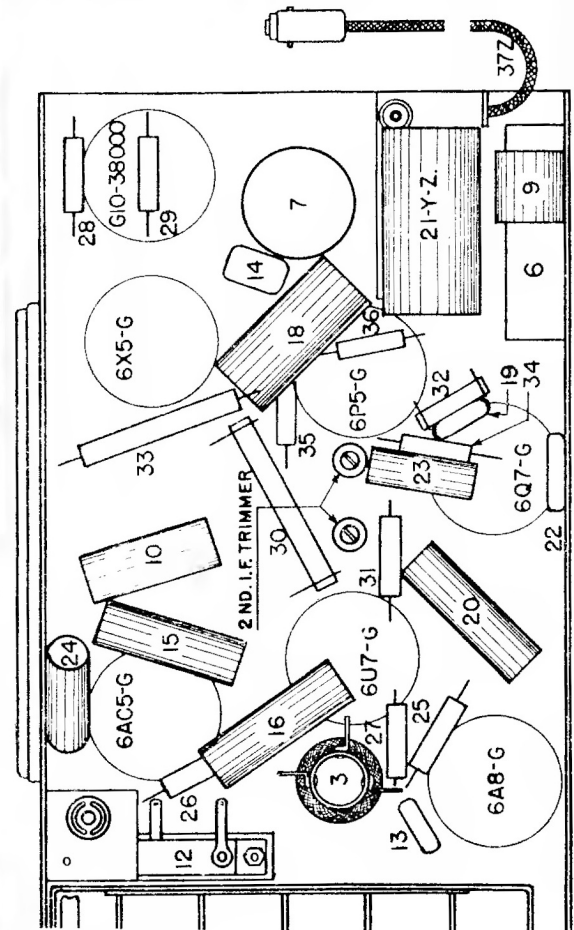


Fig. 3. Bottom View A-168 and A-268

TUBE SOCKET VOLTAGE READINGS

Tube	Function	H	P	S	Su	K	Ga	Go	G
6A8-G	Oscillator-Modulator	6.0	220	100	—	3.5	100	—	—
6U7-G	I-F. Amplifier	6.0	220	100	—	3.5	—	—	—
6Q7-G	Det., A. V. C. 1st A-F. Amplifier	6.0	60	—	—	—	—	—	—
6P5-G	2nd A-F. Amplifier	6.0	200	—	—	11	—	—	—
6AC5-G	Output	6.0	225	—	—	—	—	—	11
6X5-G	Rectifier	6.0	—	—	—	240	—	—	—

Power Output (max.) 6 Watts—approx.
 Battery Drain 6.5 Amperes—approx.
 It will be noted that certain terminals on the sockets are used as junction blocks.