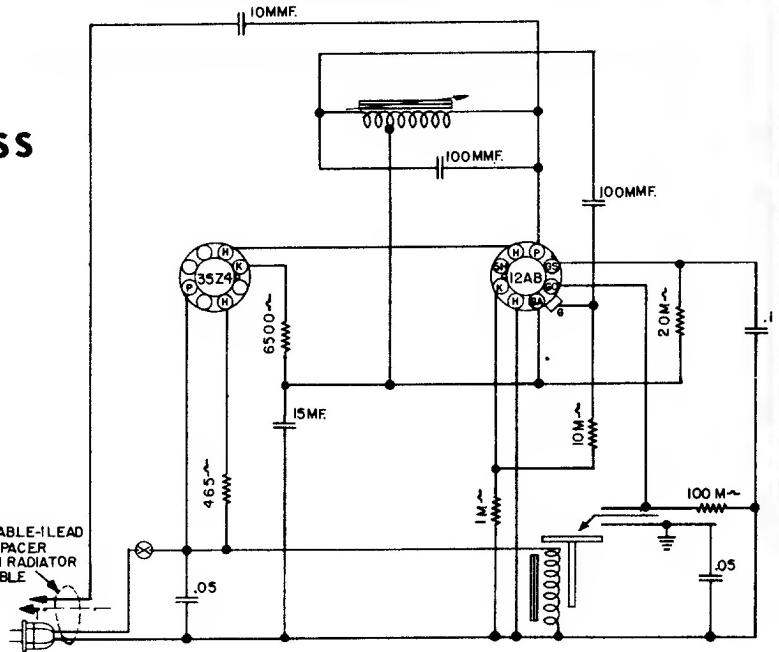


# THE CROSLY AUTOMATIC WIRELESS RECORD PLAYER MODEL CR26

MODEL 27 CHASSIS

4 LEAD CABLE-1 LEAD  
DUMMY SPACER  
BETWEEN RADIATOR  
& CABLE



### ALIGNMENT PROCEDURE

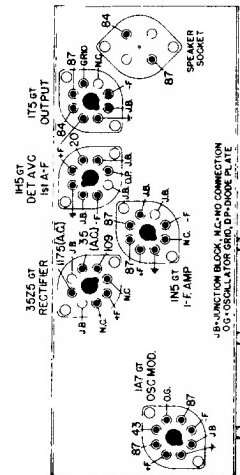
Volume Control on full

Output meter connected to Plate and Screen of 1T5GT

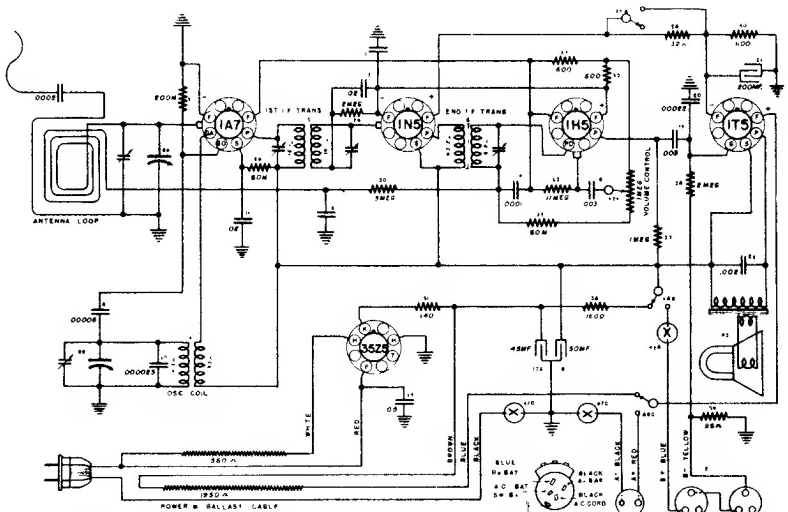
SIGNAL GENERATOR		DUMMY ANTENNA	TUNING COND. SETTING	TRIMMERS TO ADJUST	REMARKS
FREQUENCY SETTING	CONNECTION TO RADIO				
455 Kc	Grid 1A7GT	.02 MF	Fully open	2nd 1-F (1) located on front	Adjust for maximum signal.
455 Kc	Grid 1A7GT	.02 MF	Fully open	chassis flange 1st 1-F (2)	Adjust for maximum signal. Located top of 1st 1-F ass'y.
1650	Ant. Lead	.0001 MF	Approx. 140	"OSC" Shunt on gang	Adjust for maximum output. Gang does not have to tune through signal.
1400	Ant. Lead	.0001 MF	on dial	"ANT" shunt on loop ant. through hole in right side of cabinet	Adjust for maximum output.

Repeat above for more accurate adjustments  
 Maximum power output @ 75 V. "B" — approx. 200 M. W.  
 Maximum power output @ 90 V. "B" — approx. 340 M. W.  
 Maximum power output @ 90 V. "B" — approx. 200 M. W.  
 undistorted

A Battery drain @ 6 volts, .05 Amp.; "B" Battery drain @ 75 V., 9 M. A.; @ 90 V., 12 M. A.  
 Power consumption @ 117.5 volts line—30 Watts



ALL VOLTAGES MEAS. TO CHASSIS WITH 250V. 0000/75V. VOLTMETER (DC) (EXCEPT A.C. VOLTAGES). AT 117.5 VOLTS LINE A.C.



MODEL -- 27

455 KC. 1.F.

REAR VIEW OF VOLUME CONTROL & SWITCH BATTERY CABLE & PLUGS