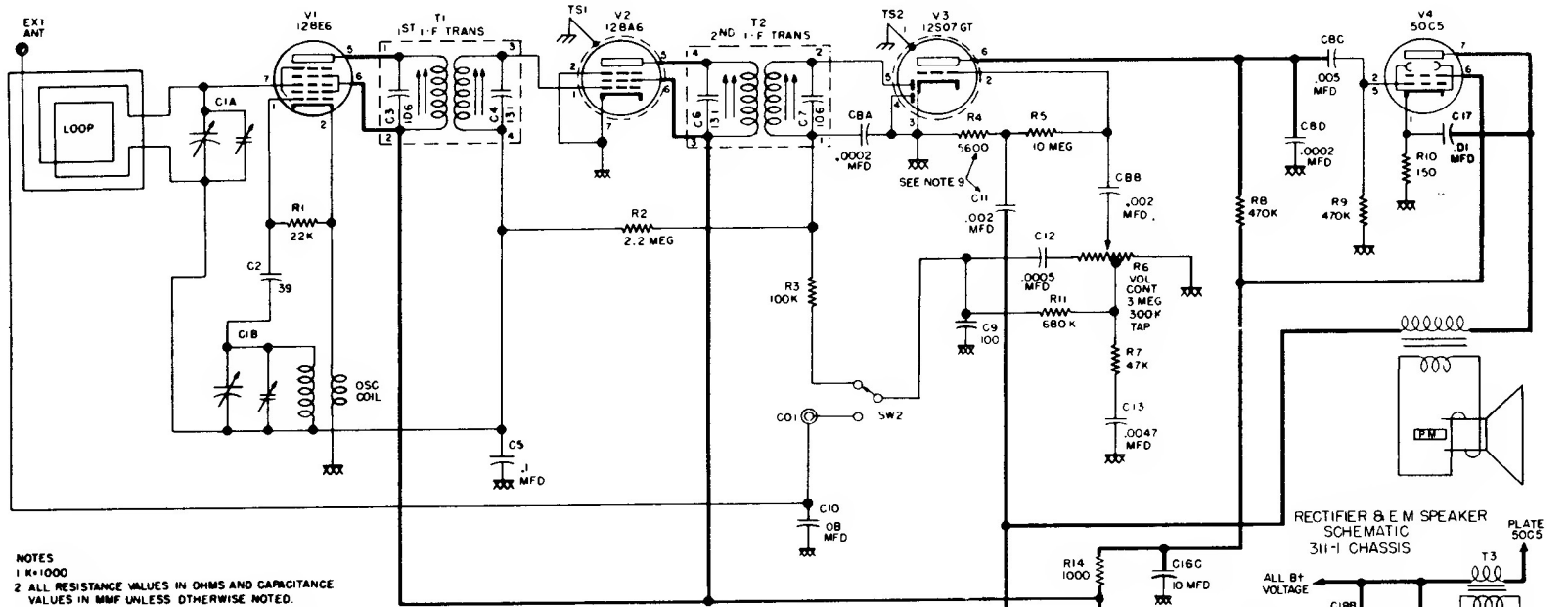


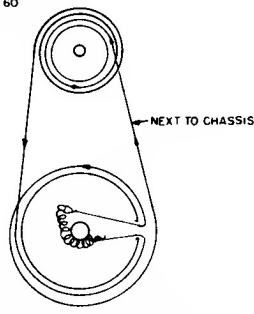
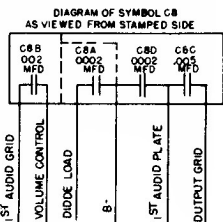
CROSLLEY

MODELS: 11-120U, 11-121U, 11-122U, 11-123U
11-124U, 11-125U

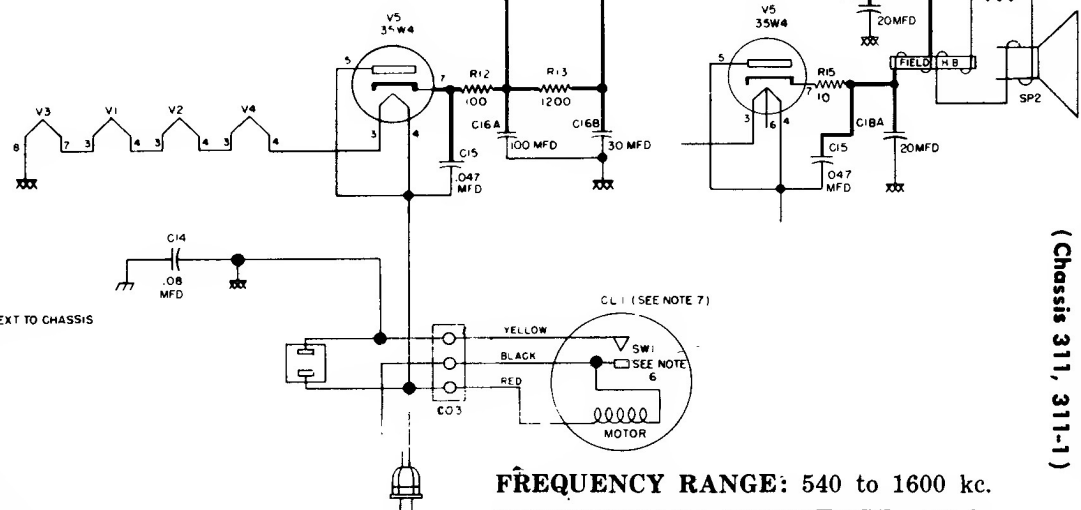
Models: D-25 WE, D-25 TN, D-25 CE,
D-25 MN, D-25 BE, D-25 GN
(Chassis 311, 311-1)



- NOTES**
- 1 K=1000
 - 2 ALL RESISTANCE VALUES IN OHMS AND CAPACITANCE VALUES IN MMF UNLESS OTHERWISE NOTED.
 - 3 NUMBER ONE TERMINAL ON I-F TRANSFORMERS ODDED WITH GREEN DOT, NUMBERS PROGRESS CLOCKWISE
 - 4 I-F = 455 KC
 - 5 - CHASSIS
 - COMMON WIRING
 - 6 SWITCH SW1 IS USED TO CONTROL OPERATION OF THE RADIO AND OUTLET AS FOLLOWS
A MANUALLY BY SETTING THE OPERATION KNOB AT "RADIO" ON OR OFF
B AUTOMATIC ALARM AND RADIO START (POWER ON) BY PRESET OF ALARM CONTROLS WITH THE OPERATION KNOB SET AT "RADIO ALARM"
 - C AUTOMATIC STOP (POWER OFF) AFTER "NOT MORE THAN A 60 MINUTE INTERVAL BY SETTING THE SLEEP CONTROL WITH THE OPERATION KNOB AT OFF
 - 7 CL1 IS CONNECTED BY PIN CONTACTORS AT C03
 - 8 SW2 IS SHOWN IN RADIO POSITION
 - 9 R4 AND C11 ARE USED WITH PM SPEAKERS ONLY



PLACEMENT OF DIAL DRIVE CORD TUNING CAPACITOR IN THE CLOSED POSITION.



FREQUENCY RANGE: 540 to 1600 kc.
INTERMEDIATE FREQUENCY: 455 kc.
POWER SUPPLY: 60 cycle, a.c. only.
VOLTAGE RATING: 105-125 volts.