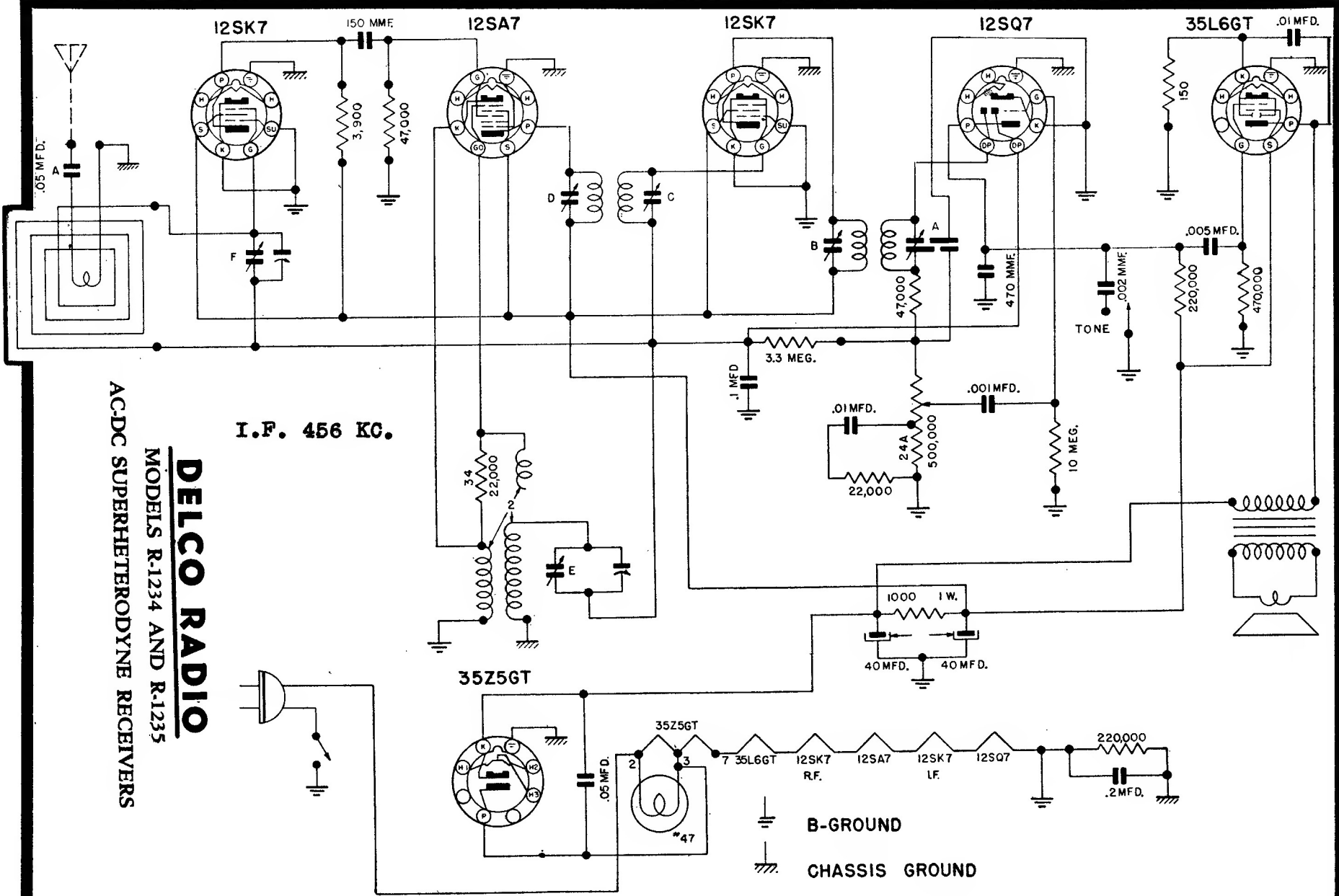


DELCO RADIO
 MODELS R-1234 AND R-1235
 AC-DC SUPERHETERODYNE RECEIVERS

I.F. 456 KC.



B-GROUND
 CHASSIS GROUND