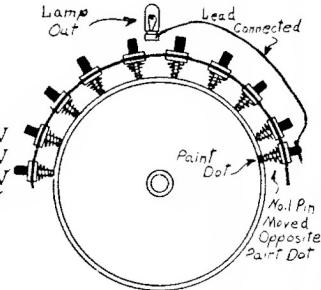
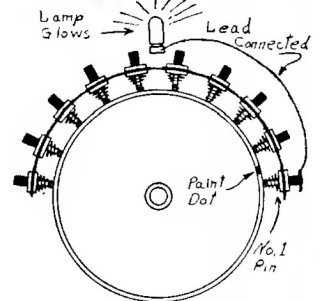
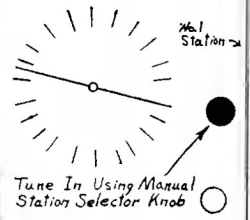
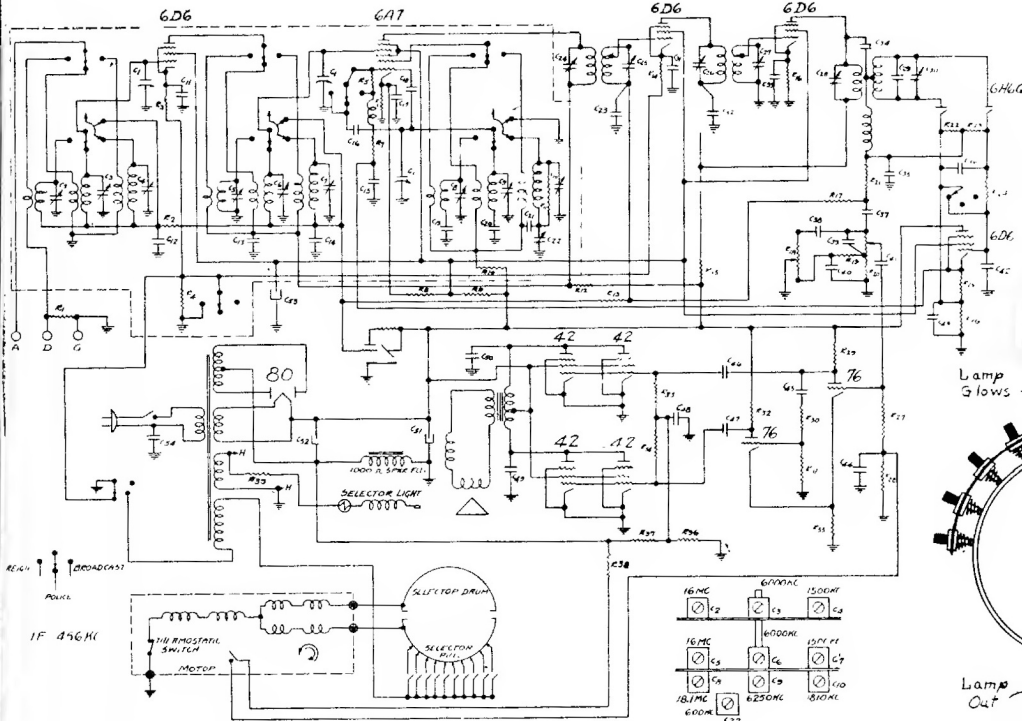


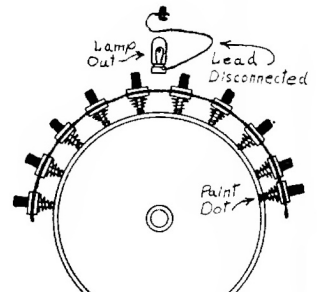
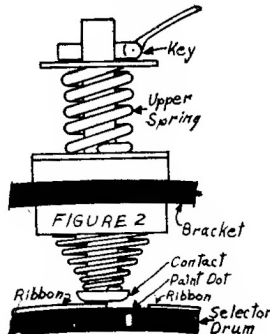
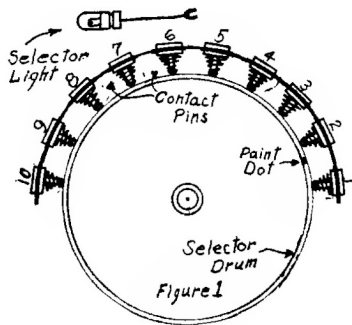
# DETROLA RADIO AND TELEVISION CORPORATION

## 192 Series

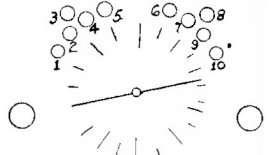


Symbol	Part No.	Description
R1,13,29,32	2880	100 M 1/3W 10%
R2,7,21	631	50 M 1/3W
R3,12,14,15,16	2421	1000 ohm 1/3W
R4	2421	1000 ohm 1/3W
R5	2783	2500 ohm 1/3W 10%
R6	3937	500 ohm 1/2 W Wire-wound ±10%
R8	3805	7000 ohm 3 1/2 W Wirewound
R9	3805	8000 ohm 1 1/2 W Wirewound
R10	600	10M 1/3W
R11	3581	3M 1/3W ±10%
R17,22,23,24,28,27,30	2599	1 meg 1/3W 10%
R18	2737	2 meg tone control
R20	3800	3 meg volume control
R25	2572	400 ohm 1/3W 10%
R26	2691	500 ohm 1/3W 10%
R33,34,19	2730	200 M 1/3W 10%
R36		150 M 1/3W 10%
R38,37	2731	500 M 1/3W 10%
R39		20 ohm 1 W
C1		400 mmf variable
C2,3,4	3822	2-35 mmf triple trimmer
C5,6,7	3822	2-35 mmf triple trimmer
C8,9,10	3822	2-35 mmf triple trimmer
C11,12,14,17,31,33	580	.05—200 V
C13,32	575	.1—400 V
C15,23,42,43,44	572	.1—200 V
C16	2925	25 mmf mica
C18	4676	8 mmf
C19	2694	.005—600 5%
C20	2741	1330 mmf 5%
C21		.01—400 V
C22	2560	350 mmf variable padder
C34,35	1285	100 mmf mica
C36,48	2792	.2—200 V
C37,41	576	.02—400 V
C38,40	824	.002—600 V
C39	2780	50 mmf. mica

C45,46,47	2600	.02—600 V
C49,50	2601	.01—600 V
C51	4062	30 MF 275 V
C52	4649	24 MF 450 V
C53	3079	8 MF 150 V
C54	3135	.003—800 V



Master Selector Set Up For Station No. 1 - Repeat Similar Operations For Station No. 2 Using No. 2 Pin, Etc



All Stations Set Up Place Call Letters On Buttons As Numbered